



SINKS + TAPS.

Collection 2022

Contents.



012. **SINKS**
Ceramic



088. **SINKS**
Accessories



110. **TAPS**
Pull-out & Spray



036. SINKS
Granite



046. SINKS
Stainless Steel



098. TAPS
3in1



104. TAPS
Puriti



117. TAPS
Single Control



130. TAPS
Dual Control

Your Home Your Style.

The finishing touches can make all the difference when it comes to creating your dream kitchen. Caple sinks are made in ceramic, granite or stainless steel and our taps range from the classic to the hi-tech. They bring your kitchen to life by combining practicality with style, whatever your taste or budget.

Whatever kitchen design you've decided on, Caple has the perfect sink and tap to set it off. Making some key decisions now will help you find just the right combination.





CAPLE CARE

**FREE LIFETIME
GUARANTEE ON
ALL SINKS**

The Choice is Yours.

THINK ABOUT SINKS

People use sinks in many different ways.

Do you require a drainer? How many bowls do you need and what sizes will be most useful? How about the space you have available? Now turn your attention to style. What will go best with your kitchen? Finally, you need to choose the finish – traditional ceramic, contemporary stainless steel or practical granite?



UNDERMOUNTED SINKS

Mounted beneath the worktop, which is cut to fit the size of the bowl. A distinctive, fully integrated look in ceramic, granite and stainless steel. Taps are can be mounted into the worktop behind the sink. Granite, solid surface or wooden worktops are compatible with undermounted sinks.



FARMHOUSE SINKS

They can be installed under the worktop with the front face visible - to accommodate the depth, you'll need a short height cabinet. A period Victorian design - traditionally ceramic but also available in contemporary granite. Usually mounted into the worktop, although some sink models allow for them to be fitted to the sink. Granite, solid surface or wooden.



INSET SINKS

The feature lip around the sinks edge fits on top of the worktop. With finishes available in ceramic, granite and stainless steel. Taps are fitted to the sink itself, however, individual bowls may require the tap to be mounted into the worktop. Granite, solid surface, wooden or laminate worktops can be used with inset sinks.

Traditional Tastes.

Often the heart of the home, the traditional kitchen is warm and inviting. With elegant detailing and subtle design elements it has a comforting, old world charm.





AN ABSOLUTE CLASSIC

If your kitchen is traditional or country style, you can't go wrong with a classic ceramic. You can choose from the ever-popular and practical farmhouse style for more subtle and sophisticated designs in many shapes and sizes.

MODERN TWIST

Although ceramic sinks are notably traditional in appearance they are also beautifully adaptable. Why not pair a single bowl Belfast with a contemporary single lever spray tap to give a fresh take on a classic look.

SUITABLY SIZED

They don't come more traditional than the generously proportioned sit-on sinks. Or a smooth and sophisticated inset design might be more to your taste. Whichever you choose, ceramic sinks are hard-wearing and easy to maintain with their smooth, gleaming white glaze.

LUXURY ON A BUDGET

Don't have the budget for expensive solid worktops but want a farmhouse style sink?

Our latest range of inset butler ceramic sinks have been designed with inset edges for installation into a laminate worktop, which means you get all the benefits of an inset sink without compromising on the traditional. See pg 21.

Modern + Minimal.

The last thing you want from the kitchen you choose today is for it to go out of fashion tomorrow. But smartly designed contemporary styling retains its freshness through clean lines, bold colour and striking aesthetics. Where do you start when choosing a contemporary sink and tap?





PROFESSIONAL PULL-OUTS

Try an industrial look with a pull-out or choose a slim line tap for that fresh, contemporary feel. Modern styling is all about contrasts so you can mix and match to your heart's content.

3 IN 1

Perfect if you are always on the go, 3in1 taps supply fresh cold water, regular hot water and filtered 98°C steaming water.

PICK AND MIX

In the spirit of modernity, why not combine different shapes and sizes? Mix bowls together to reflect your individuality and add the ultimate designer tap for a real talking point.

NATURALLY GOOD LOOKING

The practical granite sink has become a style icon. Quite right too, as it offers you immense durability, and comes in an array of glamorous colours.



Sinks

CERAMIC	12
GRANITE	36
STAINLESS STEEL	46
ACCESSORIES	88



CAPLE CARE

**FREE LIFETIME
GUARANTEE ON
ALL SINKS**

LIFETIME GUARANTEE

All Caple sinks have a free lifetime guarantee against manufacturing defects as standard, giving you complete confidence when you buy Caple. Subject to T & C's.

Ceramic Sinks

At home in any kitchen, a ceramic sink offers you the simple elegance of a bygone era, yet can look the part in the most contemporary settings.







MATCHING METALLICS

With our range of metallic wastes and overflows you can match your sink accessories to your chosen tap. Fits any sink with a 90mm waste outlet. Take a look at all the finishes on pg 88.

Farmhouse Sinks.

These time-honoured classics will stand the test of time in today's busy kitchen. Their generous proportions are perfect if you want to make a sizeable design statement.

A selection of our handmade ceramic sinks are specially glazed to reduce surface bacteria by 99.99% preventing germs from spreading. Unlike a thin coating, the anti-bacterial glaze will last the lifetime of the sink and is safe to use in every environment.

Each sink is hand finished, so no two sinks are ever alike - sizes may vary by plus-or-minus 2%. We recommend measuring the actual sink before fitting.



BLACKMORE



BELFAST 760



BLACKMORE - Sit-on

FEATURES

- Tap ledge with 1 tap hole
- 90mm waste outlet for a basket strainer waste
- Suitable for a waste disposer waste to be ordered separately

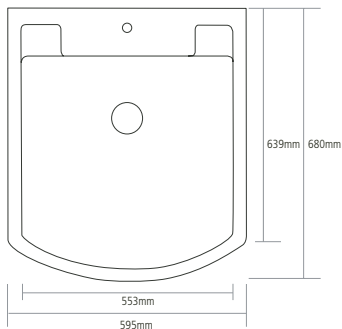
PLUMBING OPTIONS

- Stainless steel waste and overflow CPK501
- Plumbing kit CPK100

DIMENSIONS

- Bowl depth 200mm
- Overall sink depth 220mm
- Min. base unit 600mm
- Sink tapers by approx. 10mm

Note: All sink dimensions may vary by plus-or-minus 2%.



CPBS760 - Sit-on

FEATURES

- No tap facility
 - 90mm waste outlet for a basket strainer waste
 - Suitable for a waste disposer
 - Hygiene finish
- Waste to be ordered separately

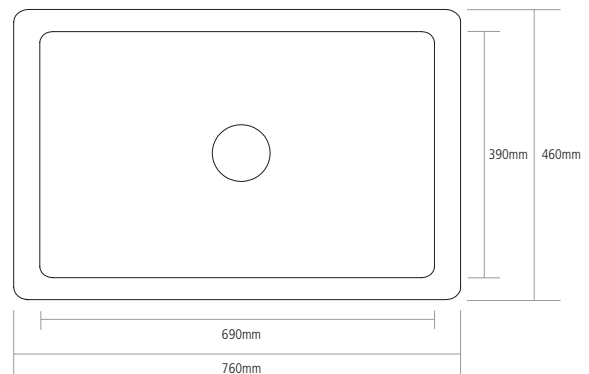
PLUMBING OPTIONS

- Stainless steel waste BSW/OF/SS3
- Plumbing kit CPK100

DIMENSIONS

- Bowl depth 219mm
- Overall sink depth 255mm
- Min. base unit 800mm

Note: All sink dimensions may vary by plus-or-minus 2%.



ACCESSORY OPTIONS

Universal wooden chopping board
CBB3040



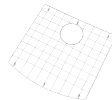
Basket strainer waste decorative cover
CWC2



Universal wooden chopping board
CBB3040



Stainless steel sink grid
CGRID10



Basket strainer waste decorative cover
CWC2



OPTIONAL EXTRAS

Purchase your waste and overflow separately. If you fancy something different why not opt for a metallic waste shown here?

BSW/AB

Antique brass 90mm basket strainer waste with square & round overflow



BSW/GD

Gold 90mm basket strainer waste with square & round overflow



BSW/CO

Copper 90mm basket strainer waste with square & round overflow



BUTLER 600**BUTLER 800****CPBS600 - Sit-on****FEATURES**

- No tap facility
- 90mm waste outlet for a basket strainer waste
- Suitable for a waste disposer
- Hygiene finish
- Includes chrome overflow
Waste to be ordered separately

PLUMBING OPTIONS

- Stainless steel waste BSW/OF/SS3
- Plumbing kit CPK100

DIMENSIONS

- Bowl depth 220mm
- Overall sink depth 255mm
- Min. base unit 600mm
- Sink tapers from top to bottom by approx. 4mm

Note: All sink dimensions may vary by plus-or-minus 2%.

ACCESSORY OPTIONS

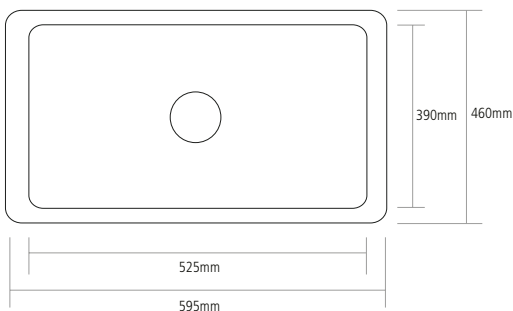
Universal wooden chopping board
CBB3040



Stainless steel sink grid
CGRID2



Basket strainer waste decorative cover
CWC2

**CPBS800 - Sit-on****FEATURES**

- No tap facility
- 90mm waste outlet for a basket strainer waste
- Suitable for a waste disposer
- Hygiene finish
- Includes chrome overflow
Waste to be ordered separately

PLUMBING OPTIONS

- Stainless steel waste BSW/OF/SS3
- Plumbing kit CPK100

DIMENSIONS

- Bowl depth 229mm
- Overall sink depth 255mm
- Min. base unit 800mm
- Sink tapers from top to bottom by approx. 4mm

Note: All sink dimensions may vary by plus-or-minus 2%.

ACCESSORY OPTIONS

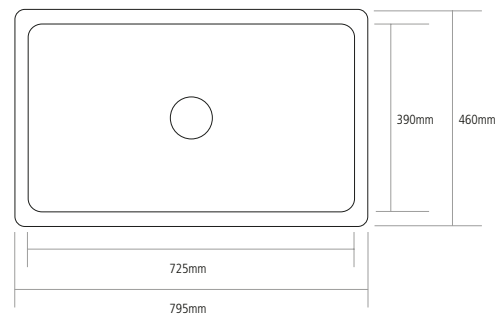
Universal wooden chopping board
CBB3040



Stainless steel sink grid
CGRID1



Basket strainer waste decorative cover
CWC2

**OPTIONAL EXTRAS**

Purchase your waste and overflow separately. If you fancy something different why not opt for a metallic waste shown here?

BSW/AB

Antique brass 90mm basket strainer waste with square & round overflow

**BSW/GD**

Gold 90mm basket strainer waste with square & round overflow

**BSW/CO**

Copper 90mm basket strainer waste with square & round overflow



FARMHOUSE 762



SHAPWICK



CPWDS762 - Sit-on

FEATURES

- No tap facility
- 90mm waste outlet for a basket strainer waste
- Suitable for a waste disposer
- Hygiene finish
- Waste to be ordered separately

PLUMBING OPTIONS

- Stainless steel waste BSW/OF/SS3
- Plumbing kit CPK100

DIMENSIONS

- Bowl depth 254mm
- Overall sink depth 284mm
- Min. base unit 800mm
- Sink tapers by approx. 8mm

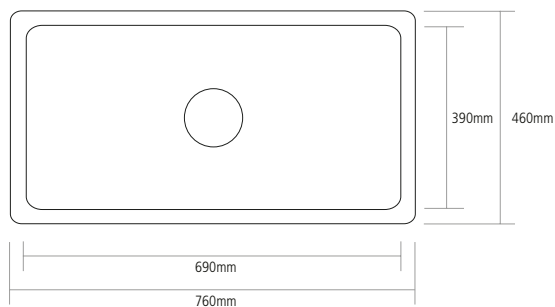
Note: All sink dimensions may vary by plus-or-minus 2%.

ACCESSORY OPTIONS

Universal wooden chopping board
CBB3040



Basket strainer waste decorative cover
CWC2



SHAPWICK - Sit-on

FEATURES

- No tap facility
- 90mm waste outlet for a basket strainer waste and overflow
- Not reversible
- Suitable for a waste disposer
- Hygiene finish
- Waste to be ordered separately

PLUMBING OPTIONS

- Stainless steel waste and overflow CPK501
- Plumbing kit CPK100

DIMENSIONS

- Bowl depth 170mm
- Overall sink depth 200mm
- Min. base unit 600mm
- Sink tapers from top to bottom by approx. 10mm

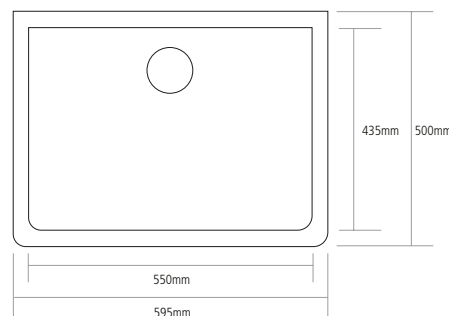
Note: All sink dimensions may vary by plus-or-minus 2%.

ACCESSORY OPTIONS

Universal wooden chopping board
CBB3040



Basket strainer waste decorative cover
CWC2



BSW/BC

Blackened copper 90mm basket strainer waste with square & round overflow



BSW/GM

Gunmetal 90mm basket strainer waste with square & round overflow



BSW/BSTEEL

Black steel 90mm basket strainer waste with square & round overflow





YORKSHIRE



YORK - Sit-on

FEATURES

- No tap facility
- 90mm waste outlet for a basket strainer waste
- Suitable for a waste disposer
Waste to be ordered separately

PLUMBING OPTIONS

- Stainless steel waste and overflow CPK1501
- Brushed steel waste and overflow CPK2501
- Chrome waste and overflow CPK1901
- Plumbing kit CPK100

DIMENSIONS

- Bowl depth 200mm
- Overall sink depth 220mm
- Min. base unit 600mm
- Sink tapers from top to bottom by approx. 20mm

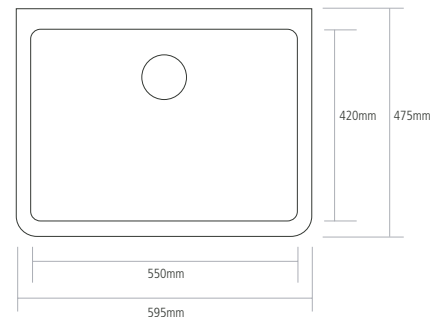
Note: All sink dimensions may vary by plus-or-minus 2%.

ACCESSORY OPTIONS

Universal wooden chopping board
CBB3040



Basket strainer waste decorative cover
CWC2



OPTIONAL EXTRAS

Purchase your waste and overflow separately. If you fancy something different why not opt for a metallic waste shown here?

BSW/AB

Antique brass 90mm basket strainer waste with square & round overflow



BSW/GD

Gold 90mm basket strainer waste with square & round overflow



BSW/CO

Copper 90mm basket strainer waste with square & round overflow



PEMBERLEY



CHEPSTOW



PEMBERLEY - Sit-on

FEATURES

- No tap facility
- 90mm waste outlet for a basket strainer waste
- Suitable for a waste disposer
- Hygiene finish
- Includes chrome overflow
Waste to be ordered separately

PLUMBING OPTIONS

- Stainless steel waste BSW/OF/SS3
- Plumbing kit CPK100

DIMENSIONS

- Bowl depth 190mm
- Overall sink depth 220mm
- Min. base unit 600mm

Note: All sink dimensions may vary by plus-or-minus 2%.

ACCESSORY OPTIONS

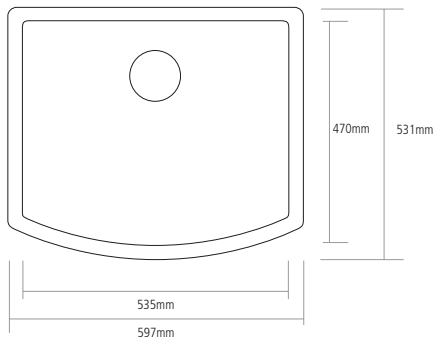
Universal wooden chopping board
CBB3040



Stainless steel sink grid
CGRID4



Basket strainer waste decorative cover
CWC2



CHEPSTOW2 - Sit-on

FEATURES

- 1 semi-punched tap hole
- 2 90mm waste outlets for basket strainer wastes
- Suitable for a waste disposer
Waste to be ordered separately

PLUMBING OPTION

- Stainless steel waste and overflow CPK501 [x2]
- Plumbing kit CPK200

DIMENSIONS

- Bowl depth 190mm
- Overall sink depth 220mm
- Min. base unit 800mm
- Sink tapers from top to bottom by approx. 5mm

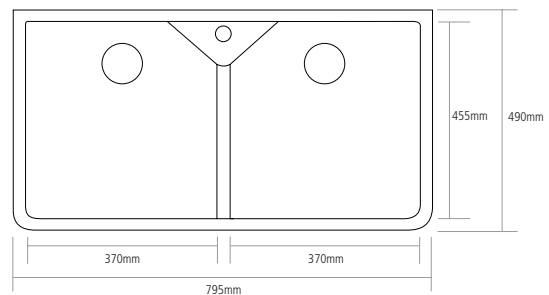
Note: All sink dimensions may vary by plus-or-minus 2%.

ACCESSORY OPTIONS

Universal wooden chopping board
CBB3040



Basket strainer waste decorative cover
CWC2



BSW/BC

Blackened copper 90mm basket strainer waste with square & round overflow



BSW/GM

Gunmetal 90mm basket strainer waste with square & round overflow



BSW/BSTEEL

Black steel 90mm basket strainer waste with square & round overflow



KEMPTON



MODERN BELFAST



KEMPTON - Sit-on

FEATURES

- No tap facility
- 2 90mm waste outlets for a basket strainer wastes
- Suitable for a waste disposer
- Hygiene finish
- Includes chrome overflows
Wastes to be ordered separately

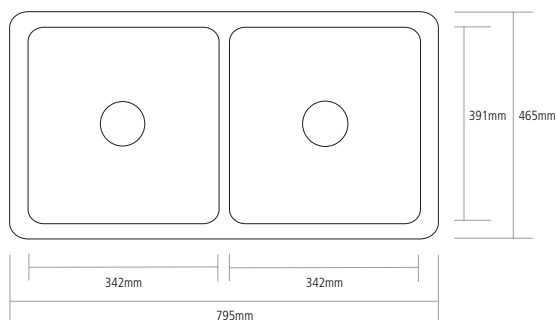
PLUMBING OPTIONS

- Stainless steel waste BSW/OF/SS3 [x2]
- Plumbing kit CPK200

DIMENSIONS

- Bowl depth 191mm
- Overall sink depth 229mm
- Min. base unit 800mm
- Sink tapers from top to bottom by approx. 4mm

Note: All sink dimensions may vary by plus-or-minus 2%.



ACCESSORY OPTIONS

Universal wooden chopping board
CBB3040



Stainless steel sink grid
CGRID3



Basket strainer waste decorative cover
CWC2



CPBS4 - Sit-on

FEATURES

- Slimline design
- Reversible
- No tap facility
- 90mm waste outlet
Not suitable for BSW/XX metallic wastes*
- Waste to be ordered separately

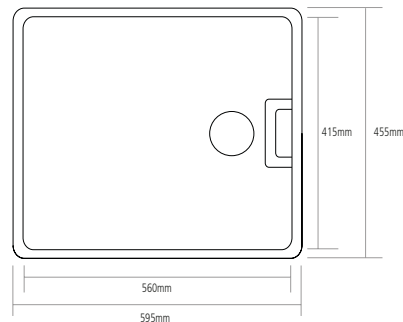
PLUMBING OPTIONS

- Stainless steel waste BSW/OF/SS3
- Plumbing kit CPK100

DIMENSIONS

- Bowl depth 205mm
- Overall sink depth 250mm
- Min. base unit 600mm
- Sink tapers from top to bottom by approx. 5mm

Note: All sink dimensions may vary by plus-or-minus 2%.



ACCESSORY OPTIONS

Universal wooden chopping board
CBB3040



Stainless steel sink grid
CGRID5



Basket strainer waste decorative cover
CWC2



OPTIONAL EXTRAS

Purchase your waste and overflow separately. If you fancy something different why not opt for a metallic waste shown here?

BSW/AB

Antique brass 90mm basket strainer waste with square & round overflow



BSW/GD

Gold 90mm basket strainer waste with square & round overflow



BSW/CO

Copper 90mm basket strainer waste with square & round overflow





Inset Butler.

These beautiful ceramic sinks are the perfect solution to attaining a luxurious farmhouse aesthetic without the price tag.

GOODBYE EXPENSIVE SOLID WORKTOPS

Don't have the budget for expensive solid worktops but want a farmhouse style sink?

These inset butler sinks have been designed with inset edges for installation into a laminate worktop, which means you get all the benefits of an inset sink without compromising on the traditional farmhouse look.

Look out for the icon below on relevant sinks.



EASY INSTALLATION

At Caple, we design with you in mind. That's why we have created these models to be installed in a standard base unit.

CINB800 INSET BUTLER



CINB600 INSET BUTLER



CINB800 - Inset Butler

FEATURES

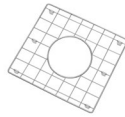
- Suitable for installation into laminate worktops
- Fits into a standard base unit
- No tap facility
- 2x 90mm waste outlets for basket strainer wastes
- Suitable for a waste disposer wastes to be ordered separately

PLUMBING OPTIONS

- Stainless steel waste and overflow CPK501 [x2]
- Plumbing kit CPK200

ACCESSORY OPTIONS

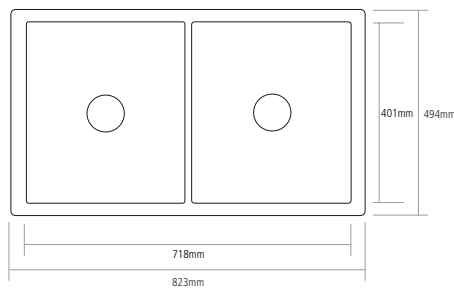
Stainless steel sink grid
CGRID9



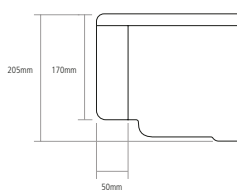
DIMENSIONS

- Front face height 170mm
- Bowl depth 180mm
- Overall sink depth 205mm
- Min. base unit 800mm

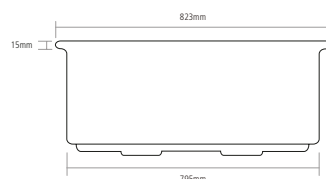
Note: All sink dimensions may vary by plus-or-minus 2%.



Side view



Front view



CINB600 - Inset Butler

FEATURES

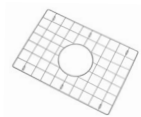
- Suitable for installation into laminate worktops
- Fits into a standard base unit
- No tap facility
- 90mm waste outlets for a basket strainer waste
- Suitable for a waste disposer wastes to be ordered separately

PLUMBING OPTIONS

- Stainless steel waste and overflow CPK501
- Chrome waste and overflow CPK1901
- Plumbing kit CPK100

ACCESSORY OPTIONS

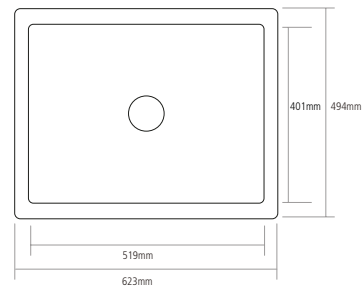
Stainless steel sink grid
CGRID8



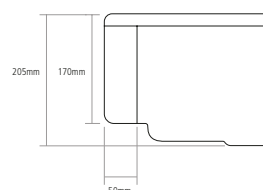
DIMENSIONS

- Front face height 170mm
- Bowl depth 185mm
- Overall sink depth 205mm
- Min. base unit 600mm

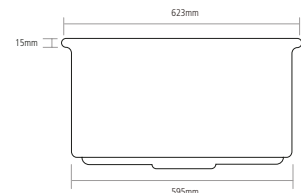
Note: All sink dimensions may vary by plus-or-minus 2%.



Side view



Front view



OPTIONAL EXTRAS

Purchase your waste and overflow separately. If you fancy something different why not opt for a metallic waste shown here?

BSW/AB

Antique brass 90mm basket strainer waste with square & round overflow



BSW/GD

Gold 90mm basket strainer waste with square & round overflow



BSW/CO

Copper 90mm basket strainer waste with square & round overflow





LINGFIELD



LINGFIELD - Inset Butler

FEATURES

- Suitable for installation into laminate worktops
- No tap facility
- 90mm waste outlet for a basket strainer waste
- Suitable for a waste disposer
- Hygiene finish
- Sides and back with inset lip and exposed front waste to be ordered separately

PLUMBING OPTIONS

- Stainless steel waste kit with overflow CPK501
- Plumbing kit CPK100

ACCESSORY OPTIONS

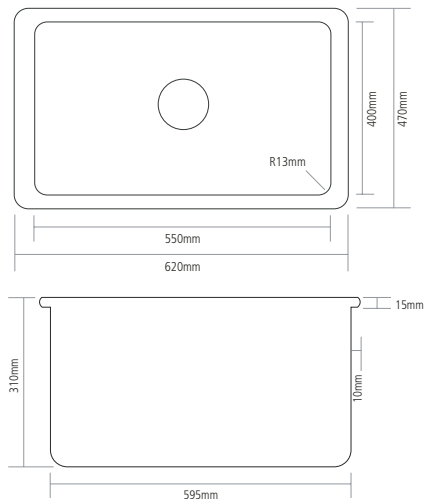
Stainless steel sink grid
CGRID2



DIMENSIONS

- Bowl depth 280mm
- Overall sink depth 310mm
- Min. base unit 600mm

Note: All sink dimensions may vary by plus-or-minus 2%.



BSW/BC

Blackened copper 90mm basket strainer waste with square & round overflow



BSW/GM

Gunmetal 90mm basket strainer waste with square & round overflow



BSW/BSTEEL

Black steel 90mm basket strainer waste with square & round overflow



Undermounted + Inset Sinks.

Choose from inset or undermounted ceramic sinks to make a distinctive style statement. A classic yet contemporary look that exudes elegance and fits easily into many different styles of kitchen.



UNDERSTATED STYLE

Fully integrated beneath the worktop, undermounted sinks give a very distinctive look to your kitchen. Used with granite, solid surface or wood worktops.

KEEP ON TOP OF IT

With their gently raised lip and smooth lines, inset sinks blend subtly and discreetly onto your worktop surface. Available in many shapes and sizes, this versatile style drops seamlessly into any kitchen.

FRISKA



ETTRA 150



FRI150U - Undermount

FEATURES

- Not reversible
- No tap facility
- 90mm and 65mm waste outlets for wastes
- Suitable for a waste disposer wastes to be ordered separately

PLUMBING OPTIONS

- Stainless steel waste and bowl connection kit CPK1101
- Plumbing kit CPK100

DIMENSIONS

- Main bowl depth 178mm
- Small bowl depth 118mm
- Overall sink depth 200mm
- Min. base unit 600mm
- Cut-out size 483 x 374mm

Note: All sink dimensions may vary by plus-or-minus 2%.

ACCESSORY OPTIONS

Universal wooden chopping board
CBB3040



Basket strainer waste decorative cover
CWC2



ETT150U - Undermount

FEATURES

- Not reversible
- No tap facility
- 90mm and 65mm waste outlets for wastes
- Suitable for a waste disposer wastes to be ordered separately

PLUMBING OPTIONS

- Stainless steel waste and bowl connection kit CPK1101
- Plumbing kit CPK100

DIMENSIONS

- Main bowl depth 176mm
- Small bowl depth 120mm
- Overall sink depth 200mm
- Min. base unit 600mm

Note: All sink dimensions may vary by plus-or-minus 2%.

ACCESSORY OPTIONS

Universal wooden chopping board
CBB3040



Chrome sink grid
CGRID6



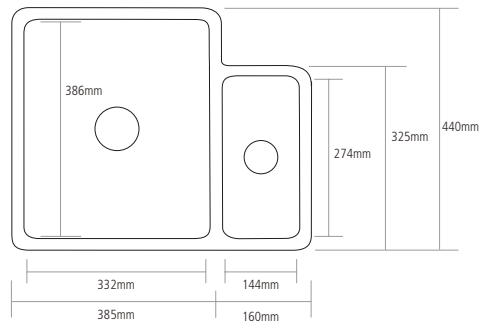
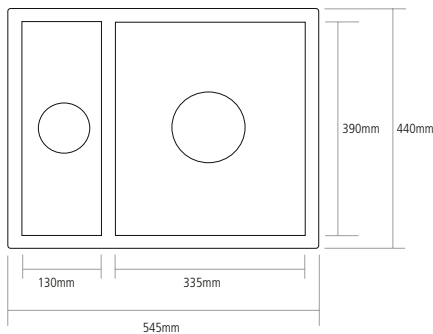
Chrome basket
CSB3CH



Chrome basket
CMBB31CH



Basket strainer waste decorative cover
CWC2



OPTIONAL EXTRAS

Purchase your waste and overflow separately. If you fancy something different why not opt for a metallic waste shown here?

BSW/AB

Antique brass 90mm basket strainer waste with square & round overflow



BSW/GD

Gold 90mm basket strainer waste with square & round overflow



BSW/CO

Copper 90mm basket strainer waste with square & round overflow



ASHFORD 100



ASHFORD 150



ASH1W - Inset with Drainer

FEATURES

- Reversible
- 2 Semi-punched tap holes
- 90mm waste outlet for a basket strainer waste
- Suitable for a waste disposer
Waste to be ordered separately

PLUMBING OPTIONS

- Stainless steel waste and overflow CPK501
- Plumbing kit CPK100

DIMENSIONS

- Bowl depth 180mm
- Overall sink depth 210mm
- Min. base unit 500mm
- Cut-out size 880 x 480mm

Note: All sink dimensions may vary by plus-or-minus 2%.

ACCESSORY OPTIONS

Universal wooden chopping board
CBB3040



Chrome basket
CMBB18CH



Basket strainer waste decorative cover
CWC2



ASH15W - Inset with Drainer

FEATURES

- Reversible
- Overflow will be at the front if reversed
- 4 Semi-punched tap holes
- 2 90mm waste outlets for a basket strainer wastes
- Suitable for a waste disposer
Wastes to be ordered separately

PLUMBING OPTIONS

- Stainless steel waste, bowl connection kit and overflow CPK801
- Plumbing kit CPK100

DIMENSIONS

- Main bowl depth 180mm
- Small bowl depth 110mm
- Overall sink depth 210mm
- Min. base unit 600mm
- Cut-out size 970 x 470mm

Note: All sink dimensions may vary by plus-or-minus 2%.

ACCESSORY OPTIONS

Universal wooden chopping board
CBB3040



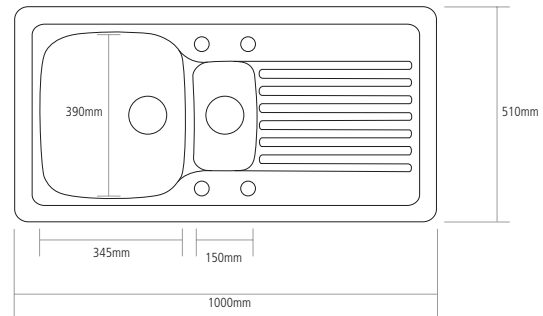
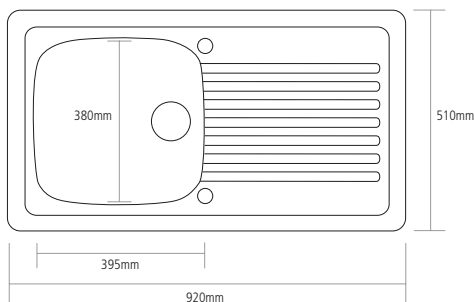
Chrome basket
CMBB13CH



Chrome small bowl basket
CSB1CH



Basket strainer waste decorative cover
CWC2



OPTIONAL EXTRAS

Purchase your waste and overflow separately. If you fancy something different why not opt for a metallic waste shown here?

BSW/AB

Antique brass 90mm basket strainer waste with square & round overflow



BSW/GD

Gold 90mm basket strainer waste with square & round overflow



BSW/CO

Copper 90mm basket strainer waste with square & round overflow



FOXBORO 100



FOXBORO 150



FOX100 - Inset with Drainer

FEATURES

- Reversible [Overflow will be at the front of the right hand drainer]
- 2 Semi-punched tap holes
- 90mm waste outlet for a basket strainer waste
- Suitable for a waste disposer
Waste to be ordered separately

PLUMBING OPTIONS

- Stainless steel waste and overflow CPK501
- Plumbing kit CPK100

DIMENSIONS

- Bowl depth 185mm
- Overall sink depth 210mm
- Min. base unit* 600mm
- Cut-out size 970 x 470mm

Note: All sink dimensions may vary by plus-or-minus 2%.

*Carcase may need to be adapted to accommodate tap tails if using a 600mm carcase.

ACCESSORY OPTIONS

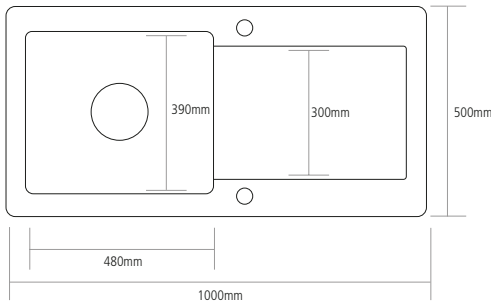
Universal wooden chopping board
CBB3040



Chrome basket
CMBB3CH



Basket strainer waste decorative cover
CWC2



FOX150 - Inset with Drainer

FEATURES

- Reversible
- 2 Semi-punched tap holes
- 2 90mm waste outlets for a basket strainer wastes
- Suitable for a waste disposer
Wastes to be ordered separately

PLUMBING OPTIONS

- Stainless steel waste kit and overflow CPK2701
- Plumbing kit CPK200

DIMENSIONS

- Main bowl depth 185mm
- Small bowl depth 120mm
- Overall sink depth 210mm
- Min. base unit 800mm
- Cut-out size 970 x 470mm

Note: All sink dimensions may vary by plus-or-minus 2%.

ACCESSORY OPTIONS

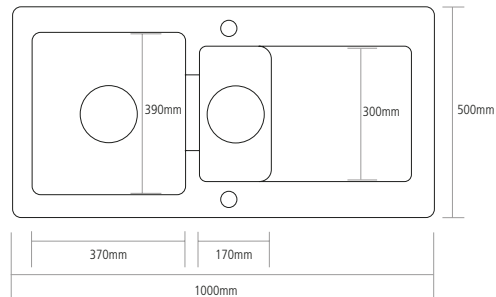
Universal wooden chopping board
CBB3040



Chrome basket
CMBB19CH



Basket strainer waste decorative cover
CWC2



BSW/BC

Blackened copper 90mm basket strainer waste with square & round overflow



BSW/GM

Gunmetal 90mm basket strainer waste with square & round overflow



BSW/BSTEEL

Black steel 90mm basket strainer waste with square & round overflow



PALADIN 150

HYGIENE
FINISH

PALADIN 760

HYGIENE
FINISH

PAL150 - Inset or Undermount

FEATURES

- Not reversible
- No tap facility
- 2 90mm waste outlet for a basket strainer waste
- Suitable for a waste disposer
- Hygiene finish wastes to be ordered separately

PLUMBING OPTIONS

- Stainless steel waste and bowl connection kit CPK801
- Plumbing kit CPK100

DIMENSIONS

- Bowl depth 200mm
- Overall sink depth 225mm
- Min. base unit 600mm

Note: All sink dimensions may vary by plus-or-minus 2%.

ACCESSORY OPTIONS

Universal wooden chopping board
CBB3040



Basket strainer waste decorative cover
CWC2



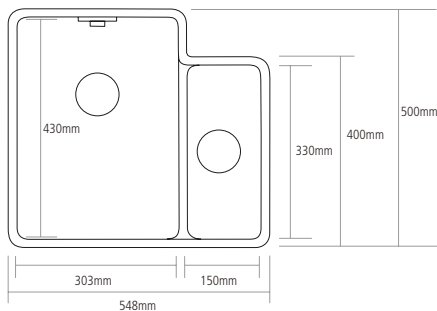
FITTING OPTIONS



Inset



Undermounted



PAL760 - Inset or Undermount

FEATURES

- Not reversible
- No tap facility
- 2 90mm waste outlets for basket strainer wastes
- Suitable for a waste disposer
- Hygiene finish wastes to be ordered separately

PLUMBING OPTIONS

- Stainless steel waste kit with overflow CPK2701
- Plumbing kit CPK200

DIMENSIONS

- Bowl depth 195mm
- Overall sink depth 225mm
- Min. base unit 800mm

Note: All sink dimensions may vary by plus-or-minus 2%.

ACCESSORY OPTIONS

Universal wooden chopping board
CBB3040



Chrome basket
CMBB11CH



Basket strainer waste decorative cover
CWC2



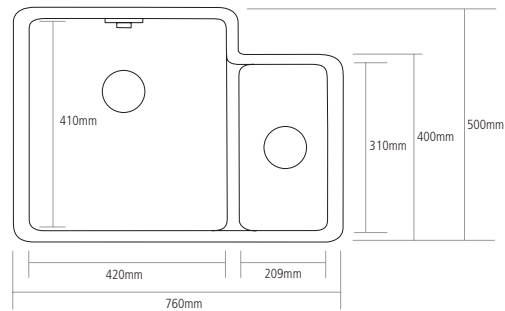
FITTING OPTIONS



Inset



Undermounted



OPTIONAL EXTRAS

Purchase your waste and overflow separately. If you fancy something different why not opt for a metallic waste shown here?

BSW/AB

Antique brass 90mm basket strainer waste with square & round overflow



BSW/GD

Gold 90mm basket strainer waste with square & round overflow



BSW/CO

Copper 90mm basket strainer waste with square & round overflow



WILTSHIRE 100



WILTSHIRE 150



WIL100 - Inset with Drainer

FEATURES

- Reversible
- 2 Semi-punched tap holes
- 90mm waste outlet for a basket strainer waste
- Suitable for a waste disposer
Waste to be ordered separately

PLUMBING OPTIONS

- Stainless steel waste and overflow CPK501
- Plumbing kit CPK100

DIMENSIONS

- Bowl depth 190mm
- Overall sink depth 225mm
- Min. base unit* 600mm
- Cut-out size 980 x 495mm

Note: All sink dimensions may vary by plus-or-minus 2%.

*Carcase may need to be adapted to accommodate tap tails if using a 600mm carcase

ACCESSORY OPTIONS

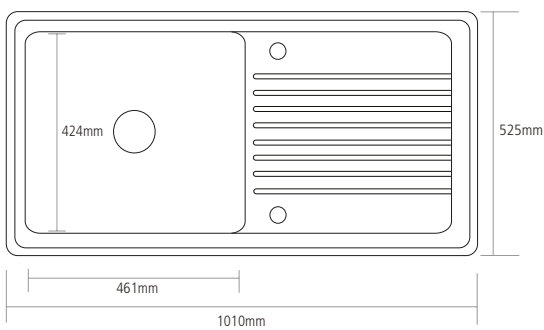
Universal wooden chopping board
CBB3040



Chrome basket
CMBB11CH



Basket strainer waste decorative cover
CWC2



WIL150 - Inset with Drainer

FEATURES

- Reversible
- 2 Semi-punched tap holes
- 2 90mm waste outlets for basket strainer wastes
- Suitable for a waste disposer
Wastes to be ordered separately

PLUMBING OPTIONS

- Stainless steel waste kit and overflow CPK2701
- Plumbing kit CPK200

DIMENSIONS

- Main bowl depth 180mm
- Small bowl depth 110mm
- Overall sink depth 223mm
- Min. base unit 600mm
- Cut-out size 980 x 495mm

Note: All sink dimensions may vary by plus-or-minus 2%.

ACCESSORY OPTIONS

Universal wooden chopping board
CBB3040



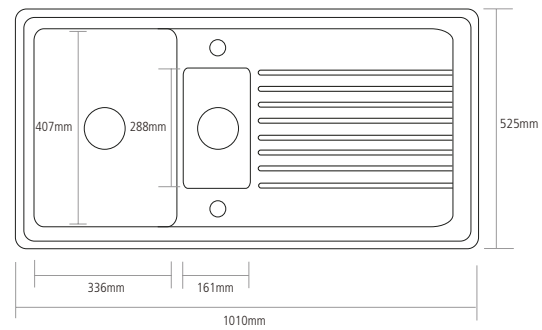
Chrome basket
CMBB10CH



Chrome small basket
CSB1CH



Basket strainer waste decorative cover
CWC2



BSW/BC

Blackened copper 90mm basket strainer waste with square & round overflow



BSW/GM

Gunmetal 90mm basket strainer waste with square & round overflow



BSW/BSTEEL

Black steel 90mm basket strainer waste with square & round overflow



Individual Bowls.

Round, square, rectangular, there's a shape and size to complement your kitchen perfectly. Or pair two bowls of your choice for a unique style.

Our elegantly proportioned individual ceramic bowls are more than just practical and hard wearing. They give you complete design flexibility, so you can choose the size, shape and number of bowls to suit your lifestyle.

For a clean and classic look, try our traditional round bowl. For something chic and contemporary, how about a single ceramic bowl paired with a gold tap with matching overflow?



MATCHING METALLICS

With our range of metallic wastes and overflows you can match your sink accessories to your chosen tap. Fits any sink with a 90mm waste outlet. Take a look at all the finishes on pg 88.



WARWICKSHIRE



CPWIB3 - Inset or Undermount

FEATURES

- No tap facility
- 90mm waste outlet for a basket strainer waste
- Suitable for a waste disposer
Waste to be ordered separately

PLUMBING OPTIONS

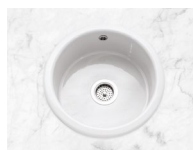
- Stainless steel waste and overflow CPK501
- Plumbing kit CPK100

DIMENSIONS

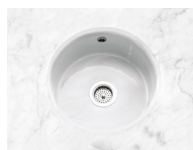
- Bowl depth 200mm
- Overall sink depth 228mm
- Min. base unit 500mm [inset]
- Cut-out size $\varnothing 445\text{mm}$

Note: All sink dimensions may vary by plus-or-minus 2%.

FITTING OPTIONS



Inset



Undermounted

ACCESSORY OPTIONS

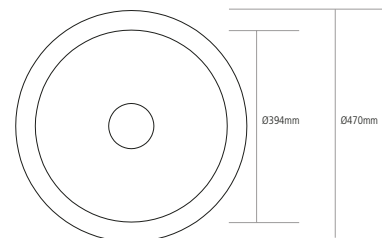
Universal wooden chopping board
CBB3040



Stainless steel sink grid
CGRID11



Basket strainer waste decorative cover
CWC2



OPTIONAL EXTRAS

Purchase your waste and overflow separately. If you fancy something different why not opt for a metallic waste shown here?

BSW/AB

Antique brass 90mm basket strainer waste with square & round overflow



BSW/GD

Gold 90mm basket strainer waste with square & round overflow



BSW/CO

Copper 90mm basket strainer waste with square & round overflow



CHESHIRE

HYGIENE
FINISH

SQUARE BOWL

HYGIENE
FINISH

CSQB - Inset or Undermount

FEATURES

- No tap facility
- 90mm waste outlet for a basket strainer waste
- Suitable for a waste disposer
- Hygiene finish
- Includes chrome overflow
Waste to be ordered separately

PLUMBING OPTIONS

- Stainless steel waste BSW/OF/SS3
- Plumbing kit CPK100

DIMENSIONS

- Bowl depth 166mm
- Overall sink depth 191mm
- Min. base unit 500mm
- Cut-out size 440 x 440mm

Note: All sink dimensions may vary by plus-or-minus 2%.

ACCESSORY OPTIONS

Universal wooden chopping board
CBB3040



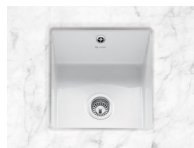
Basket strainer waste decorative cover
CWC2



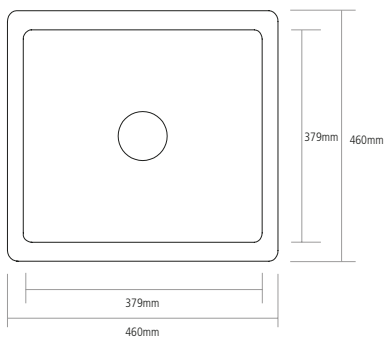
FITTING OPTIONS



Inset



Undermounted



CPCIB2 - Inset or Undermount

FEATURES

- No tap facility
- 90mm waste outlet for a basket strainer waste
- Suitable for a waste disposer
- Hygiene finish
Waste to be ordered separately

PLUMBING OPTIONS

- Stainless steel waste and overflow CPK501
- Plumbing kit CPK100

DIMENSIONS

- Bowl depth 227mm
- Overall sink depth 255mm
- Min. base unit 800mm
- Cut out size 575 x 440mm

Note: All sink dimensions may vary by plus-or-minus 2%.

ACCESSORY OPTIONS

Universal wooden chopping board
CBB3040



Basket strainer waste decorative cover
CWC2



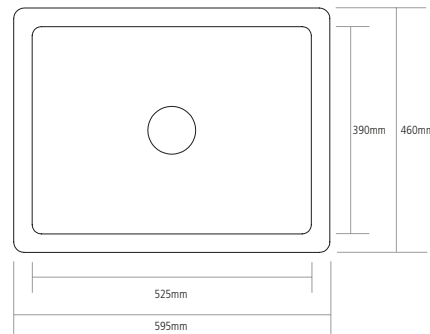
FITTING OPTIONS



Inset



Undermounted



OPTIONAL EXTRAS

Purchase your waste and overflow separately. If you fancy something different why not opt for a metallic waste shown here?

BSW/AB

Antique brass 90mm basket strainer waste with square & round overflow



BSW/GD

Gold 90mm basket strainer waste with square & round overflow



BSW/CO

Copper 90mm basket strainer waste with square & round overflow





CHESHIRE 760



CPCIB760 - Inset or Undermount

FEATURES

- No tap facility
- 90mm waste outlet for a basket strainer waste
- Suitable for a waste disposer
- Hygiene finish waste to be ordered separately

PLUMBING OPTIONS

- Stainless steel waste and overflow CPK501
- Plumbing kit CPK100

DIMENSIONS

- Bowl depth 235mm
 - Overall sink depth 265mm
 - Min. base unit 800mm
 - Cut out size 740 x 440mm
- Note: All sink dimensions may vary by plus-or-minus 2%.

FITTING OPTIONS

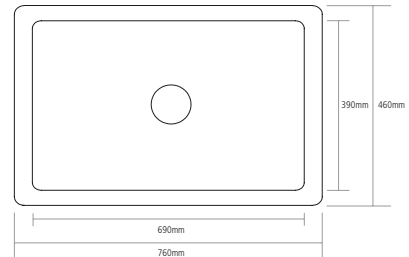


Inset

Undermounted

ACCESSORY OPTIONS

- Universal wooden chopping board **CBB3040**
- Stainless steel sink grid **CGRID1**
- Basket strainer waste decorative cover **CWC2**



BSW/BC

Blackened copper 90mm basket strainer waste with square & round overflow



BSW/GM

Gunmetal 90mm basket strainer waste with square & round overflow



BSW/BSTEEL

Black steel 90mm basket strainer waste with square & round overflow



HAMPSHIRE



BERKSHIRE



HAMPSHIRE - Inset or Undermount

FEATURES

- No tap facility
- 90mm waste outlet for a basket strainer waste
- Suitable for a waste disposer
Waste to be ordered separately

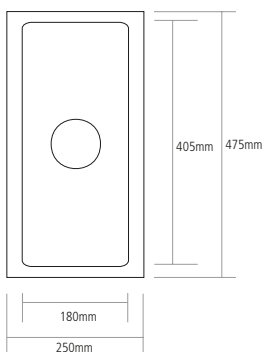
PLUMBING OPTIONS

- Stainless steel waste and overflow CPK1501
- Brushed steel waste and overflow CPK2501
- Chrome waste and overflow CPK1901
- Plumbing kit CPK100

DIMENSIONS

- Bowl depth 130mm
- Overall sink depth 155mm
- Min. base unit 300mm
- Cut-out size 225 x 455mm

Note: All sink dimensions may vary by plus-or-minus 2%.



ACCESSORY OPTIONS

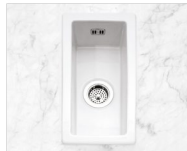
Universal wooden chopping board
CBB3040



Basket strainer waste decorative cover
CWC2



FITTING OPTIONS



Inset



Undermounted

BERKSHIRE - Inset or Undermount

FEATURES

- No tap facility
- 90mm waste outlet for a basket strainer waste
- Suitable for a waste disposer
Waste to be ordered separately

PLUMBING OPTIONS

- Stainless steel waste and overflow CPK1501
- Brushed steel waste and overflow CPK2501
- Chrome waste and overflow CPK1901
- Plumbing kit CPK100

DIMENSIONS

- Main bowl depth 180mm
- Overall sink depth 215mm
- Min. base unit 500mm
- Cut out size 430 x 455mm

Note: All sink dimensions may vary by plus-or-minus 2%.

ACCESSORY OPTIONS

Universal wooden chopping board
CBB3040



Basket strainer waste decorative cover
CWC2



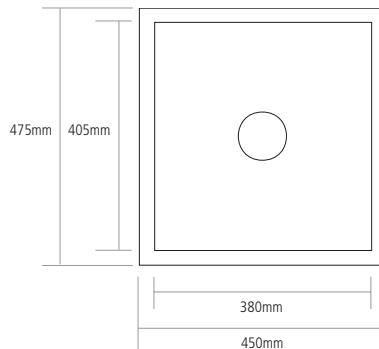
FITTING OPTIONS



Inset



Undermounted



OPTIONAL EXTRAS

Purchase your waste and overflow separately. If you fancy something different why not opt for a metallic waste shown here?

BSW/AB

Antique brass 90mm basket strainer waste with square & round overflow



BSW/GD

Gold 90mm basket strainer waste with square & round overflow



BSW/CO

Copper 90mm basket strainer waste with square & round overflow





ETTRA 600



ETT600U - Undermount

FEATURES

- No tap facility
- 90mm waste outlet for a basket strainer waste
- Suitable for a waste disposer
Waste to be ordered separately

PLUMBING OPTIONS

- Stainless steel waste and bowl connection kit CPK501
- Plumbing kit CPK100

DIMENSIONS

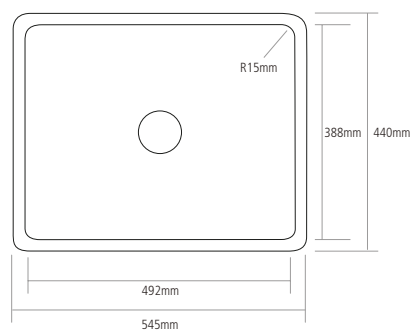
- Bowl depth 176mm
 - Overall sink depth 200mm
 - Min. base unit 600mm
- Note: All sink dimensions may vary by plus-or-minus 2%.

ACCESSORY OPTIONS

Universal wooden chopping board
CBB3040



Basket strainer waste decorative cover
CWC2



BSW/BC

Blackened copper 90mm basket strainer waste with square & round overflow



BSW/GM

Gunmetal 90mm basket strainer waste with square & round overflow



BSW/BSTEEL

Black steel 90mm basket strainer waste with square & round overflow



Granite Sinks

These are practical and beautiful sinks to cope with the demands of everyday living. Granite is synonymous with durability and can also offer you an array of stylish colours to match your décor.





Material Innovation.

Our range consisting of families are made from Geotech, which is available in six sophisticated colourways. Our stunning Black and Anthracite finishes are infused with a sparkling metallic fleck, guaranteed to add a touch of glamour to your kitchen. Desert Sand has a warm, natural feel if you're looking for understated elegance and Chalk White's rich white tones provide the ultimate in relaxed sophistication. If you prefer a slightly industrial, yet ultra modern tone, Grey or Pebble Grey is perfect to create this look.



KIND ON THE ENVIRONMENT

Geotech is made up of around 80% natural materials and manufactured using low energy consumption.

HIGHLY DURABLE

Produced to be extremely hard-wearing, it takes the knocks and scrapes of daily life in its stride.

NATURALLY GOOD LOOKING

These sinks offer the beauty of natural stone, yet can be moulded into an unlimited number of inspiring designs.

KEEPS ITS COLOUR

Completely colourfast, the metallic and matt colour finishes will both stay fresh and vibrant.

STAIN RESISTANT

Geotech is resistant to permanent staining. As long as it's cleaned regularly, it won't discolour or stain.

CUT-RESISTANT

Both cut and scratch resistant, Geotech will retain its unblemished surface through thick and thin.

EASY TO CLEAN

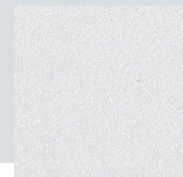
All you need to keep Geotech sparkling is warm water and washing-up liquid.



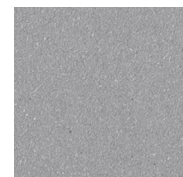
AN – ANTHRACITE
[METALLIC]



DS – DESERT SAND
[MATT]



CW – CHALK WHITE
[MATT]



PG – PEBBLE GREY
[METALLIC]



MK – MINK
[MATT]

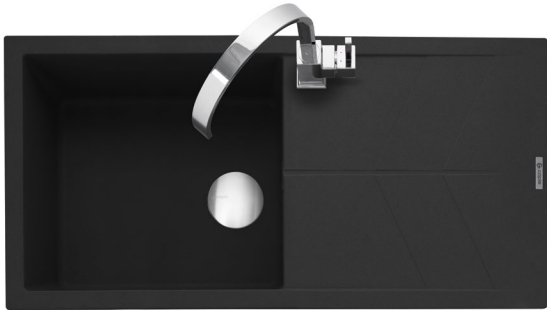


BK – BLACK
[METALLIC]



GR – GREY
[MATT]

SOTERA 100



[ANTHRACITE SHOWN]

SOTERA 150



[DESERT SAND SHOWN]

SOT100XX - Inset with Drainer

FINISH AVAILABLE

Replace XX with colour code when ordering

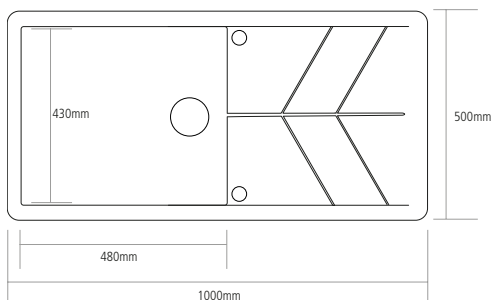
- AN** - Anthracite [metallic]
- DS** - Desert sand [matt]
- CW** - Chalk white [matt]
- PG** - Pebble grey [metallic]
- MK** - Mink [matt]

FEATURES

- Reversible
- 2 Semi-punched tap holes
- 90mm waste outlet for a basket strainer waste
- Suitable for a waste disposer
- Chrome waste, overflow and plumbing kit included
- Basket strainer waste decorative cover included [CWC2]

DIMENSIONS

- Bowl depth 220mm
- Min. base unit 600mm
- Cut-out size 980 x 480mm



ACCESSORY OPTIONS

Glass chopping board
CGCB2

Chrome basket
CMBB11CH



SOT150XX - Inset with Drainer

FINISH AVAILABLE

Replace XX with colour code when ordering

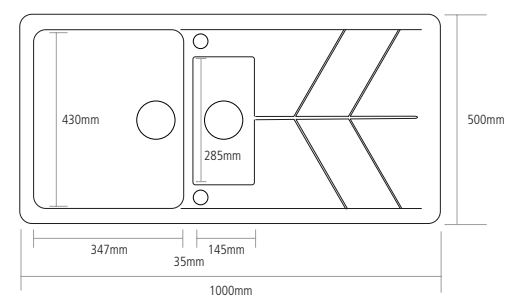
- AN** - Anthracite [metallic]
- DS** - Desert sand [matt]
- CW** - Chalk white [matt]
- PG** - Pebble grey [metallic]
- MK** - Mink [matt]

FEATURES

- Reversible
- 2 Semi-punched tap holes
- 2 90mm waste outlets for basket strainer wastes
- Suitable for a waste disposer
- Chrome wastes, overflow and plumbing kit included
- Basket strainer waste decorative cover included [CWC2]

DIMENSIONS

- Main bowl depth 210mm
- Small bowl depth 142mm
- Min. base unit 600mm
- Cut-out size 980 x 480mm



ACCESSORY OPTIONS

Glass chopping board
CGCB2

Chrome basket
CMBB10CH

Chrome small bowl basket
CSB3CH



CANIS 100



[CHALK WHITE SHOWN]

CANIS 150



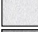

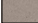


[MINK SHOWN]

CAN100XX - Inset with Drainer

FINISH AVAILABLE

Replace XX with colour code when ordering

-  **AN** - Anthracite [metallic]
-  **DS** - Desert sand [matt]
-  **CW** - Chalk white [matt]
-  **PG** - Pebble grey [metallic]
-  **MK** - Mink [matt]

FEATURES

- Reversible
- 2 Semi-punched tap holes
- 90mm waste outlet for a basket strainer waste
- Suitable for a waste disposer
- Chrome waste, overflow and plumbing kit included

DIMENSIONS

- Bowl depth 200mm
- Min. base unit 600mm
- Cut-out size 980 x 480mm

ACCESSORY OPTIONS

Glass chopping board
CGCB2








Basket strainer waste decorative cover
CWC2



CAN150XX - Inset with Drainer

FINISH AVAILABLE

Replace XX with colour code when ordering

-  **AN** - Anthracite [metallic]
-  **DS** - Desert sand [matt]
-  **CW** - Chalk white [matt]
-  **PG** - Pebble grey [metallic]
-  **MK** - Mink [matt]

FEATURES

- Reversible
- 2 Semi-punched tap holes
- 2 90mm waste outlets for basket strainer wastes
- Suitable for a waste disposer
- Chrome wastes, overflow and plumbing kit included

DIMENSIONS

- Main bowl depth 200mm
- Small bowl depth 146mm
- Min. base unit 600mm
- Cut-out size 980 x 480mm

ACCESSORY OPTIONS

Glass chopping board
CGCB2



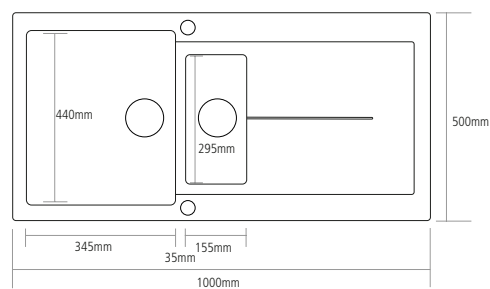
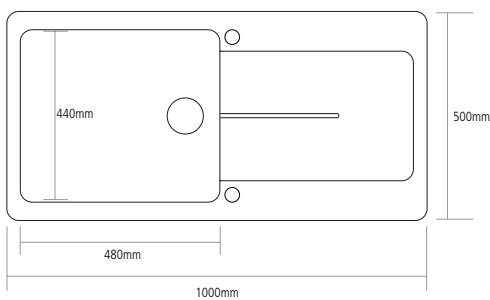
Chrome basket
CMBB10CH



Chrome sink grid
CGRID6



Basket strainer waste decorative cover
CWC2



VEIS 100



[ANTHRACITE SHOWN]

VEIS 150



[CHALK WHITE SHOWN]

VEI100XX - Inset with Drainer

PRODUCT CODE

Replace XX with colour code when ordering

- AN** - Anthracite [metallic]
- DS** - Desert sand [matt]
- CW** - Chalk white [matt]
- PG** - Pebble grey [metallic]
- MK** - Mink [matt]

FEATURES

- Reversible
- 2 Semi-punched tap holes
- 90mm waste outlet for a basket strainer waste
- Suitable for a waste disposer
- Chrome waste, overflow and plumbing kit included

DIMENSIONS

- Bowl depth 200mm
- Min. base unit 600mm
- Cut-out size 980 x 480mm

ACCESSORY OPTIONS

Glass chopping board
CGCB2

Chrome basket
CMBB3CH

Basket strainer waste decorative cover
CWC2



VEI150XX - Inset with Drainer

PRODUCT CODE

Replace XX with colour code when ordering

- AN** - Anthracite [metallic]
- DS** - Desert sand [matt]
- CW** - Chalk white [matt]
- PG** - Pebble grey [metallic]
- MK** - Mink [matt]

FEATURES

- Reversible
- 2 Semi-punched tap holes
- 2 90mm waste outlets for basket strainer wastes
- Suitable for a waste disposer
- Chrome wastes, overflow and plumbing kit included

DIMENSIONS

- Main bowl depth 200mm
- Small bowl depth 140mm
- Min. base unit 600mm
- Cut-out size 980 x 480mm

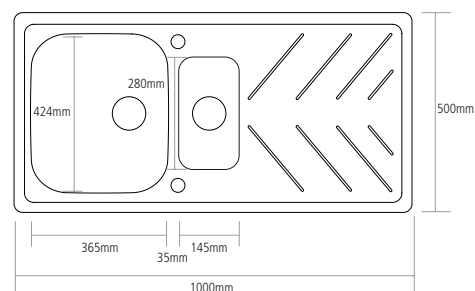
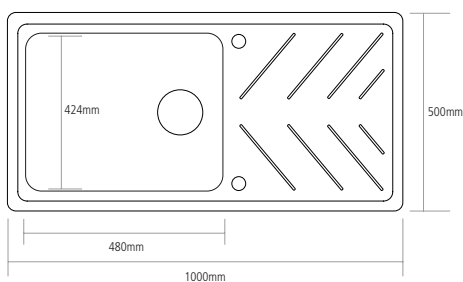
ACCESSORY OPTIONS

Glass chopping board
CGCB2

Chrome basket
CMBB1CH

Chrome basket
CSB1CH

Basket strainer waste decorative cover
CWC2



LEESTI 600



[MINK SHOWN]

LEESTI 150U



[DESERT SAND SHOWN]

LEE600XX - Inset or Undermount

PRODUCT CODE

Replace XX with colour code when ordering

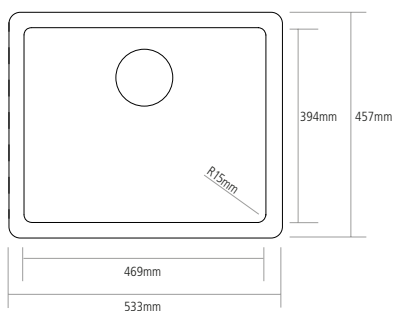
- AN** - Anthracite [metallic]
- DS** - Desert sand [matt]
- CW** - Chalk white [matt]
- PG** - Pebble grey [metallic]
- MK** - Mink [matt]

FEATURES

- 90mm waste outlet for a basket strainer waste
- Suitable for a waste disposer
- Chrome waste, overflow and plumbing kit included

DIMENSIONS

- Bowl depth 205mm
- Min. base unit 600mm
- Undermount cut-out size 479 x 403mm



ACCESSORY OPTIONS

Universal wooden chopping board
CBB3040



Chrome basket
CMBB3CH



Basket strainer waste decorative cover
CWC2



LEE150UXX - Undermount

PRODUCT CODE

Replace XX with colour code when ordering

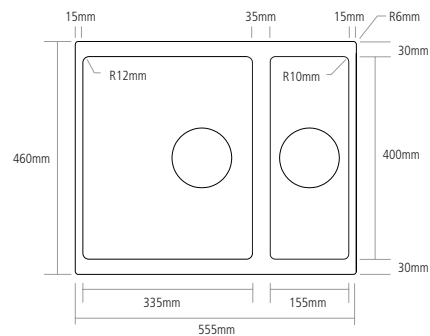
- AN** - Anthracite [metallic]
- DS** - Desert sand [matt]
- CW** - Chalk white [matt]
- PG** - Pebble grey [metallic]
- MK** - Mink [matt]

FEATURES

- No tap facility
- 2 90mm waste outlets for basket strainer wastes
- Suitable for a waste disposer
- Chrome wastes, overflow and plumbing kit included

DIMENSIONS

- Bowl depth 205mm
- Min. Base unit 600mm
- Undermount cut-out size 525 x 400mm



ACCESSORY OPTIONS

Universal wooden chopping board
CBB3040



Chrome basket
CMBB13CH



Basket strainer waste decorative cover
CWC2



LEESTI 200



[ANTHRACITE SHOWN]

LEESTI 760



[CHALK WHITE SHOWN]

LEE200XX - Undermounted

PRODUCT CODE

Replace XX with colour code when ordering

- AN** - Anthracite [metallic]
- DS** - Desert sand [matt]
- CW** - Chalk white [matt]
- PG** - Pebble grey [metallic]
- MK** - Mink [matt]

FEATURES

- No tap facility
- 2 90mm waste outlets for basket strainer wastes
- Suitable for a waste disposer
- Chrome wastes, overflow and plumbing kit included

DIMENSIONS

- Bowl depth 240mm
- Min. base unit 900mm

ACCESSORY OPTIONS

Universal wooden chopping board
CBB3040



Basket strainer waste decorative cover
cwc2



LEE760XX - Undermounted

PRODUCT CODE

Replace XX with colour code when ordering

- AN** - Anthracite [metallic]
- DS** - Desert sand [matt]
- CW** - Chalk white [matt]
- PG** - Pebble grey [metallic]
- MK** - Mink [matt]

FEATURES

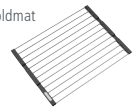
- No tap facility
- 90mm waste outlets for a basket strainer waste
- Suitable for a waste disposer
- Chrome wastes, overflow and plumbing kit included

DIMENSIONS

- Bowl depth 220mm
- Min. base unit 800mm

ACCESSORY OPTIONS

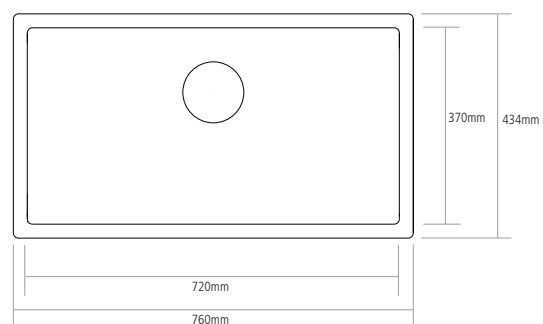
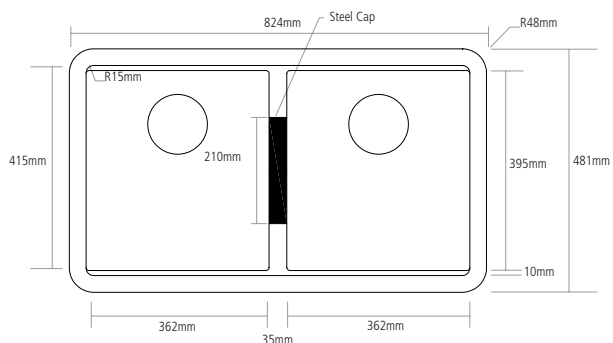
Stainless steel foldmat
FMAT/SS



Glass chopping board
CGCB2



Basket strainer waste decorative cover
cwc2





BELFAST SINK



[GREY SHOWN]

BELXX - Sit-on Belfast

PRODUCT CODE

Replace XX with colour code when ordering

- BK** Black [metallic]
- GR** Grey [matt]

FEATURES

- Reversible
- No tap facility
- 90mm waste outlets for a basket strainer wastes
- Overflow included

Wastes to be ordered separately

PLUMBING OPTION

- Stainless steel waste BSW/OF/SS3
- Plumbing kit CPK100

DIMENSIONS

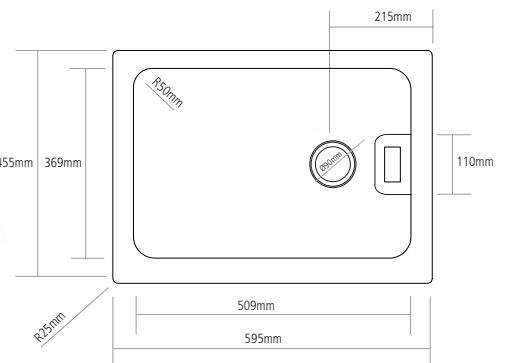
- Bowl depth 225mm
- Overall sink depth 250mm
- Min. base unit 600mm
- Sink tapers from top to bottom by approx. 8mm

ACCESSORY OPTIONS

Universal wooden chopping board
CBB 3040

Roweca anthracite chopping board
VACB

Basket strainer waste decorative cover
CWC2



Stainless Steel Sinks

Stainless steel has been the automatic choice for professional cooks over many years. Why not make it yours? It is tough, resilient and highly practical – and in our range of styles and shapes it looks sensational too.







Inset + Sit-on Sinks.

FAMILY BUSINESS

Sinks are grouped into families, making it easy to find the style and bowl combination to suit. Each set feature drainers, with a distinctive pattern for a unique look.

LOW PROFILE

Low profile sink edges create a seamlessly, sleek look. Choose a sink featuring a low profile edge of 1mm or less to achieve a smooth, almost flush, appearance.

TO THE LEFT?

Do you need a drainer on the left or right side? With many of these sinks you have the flexibility to choose. For a conventional look, go with a single bowl with drainer. Or for something a little different, try a one and a half bowl.

PERFECT FIT

Inset sinks are the only sink that can be neatly fitted into any surface type.

BELFAST



BELFAST



BELSS - Sit-on

FEATURES

- 1.2mm brushed stainless steel
- 90mm waste outlet for a basket strainer waste
- Suitable for a waste disposer
- Waste and overflow included

PLUMBING OPTION

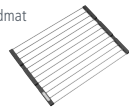
- Plumbing kit CPK100

DIMENSIONS

- Bowl depth 229mm
- Overall sink depth 254mm
- Min. base unit 600mm

ACCESSORY OPTIONS

Stainless steel foldmat
FMAT/SS



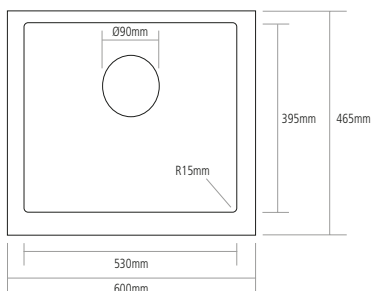
Universal wooden chopping board
CBB3040



Chrome sink grid
CGRID7



Basket strainer waste decorative cover
CWC2



BEL20SS - Sit-on

FEATURES

- 1.2mm brushed stainless steel
- 2 90mm waste outlets for a basket strainer wastes
- Suitable for a waste disposer
- Waste and overflow included

PLUMBING OPTION

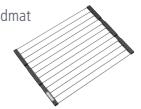
- Plumbing kit CPK200

DIMENSIONS

- Bowl depth 200mm
- Overall sink depth 220mm
- Min. base unit 800mm

ACCESSORY OPTIONS

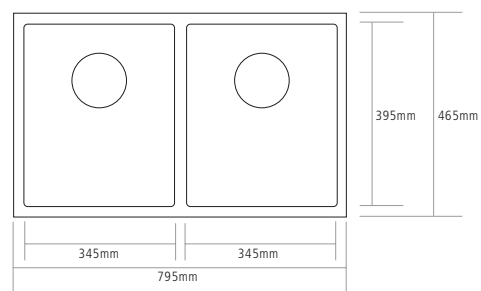
Stainless steel foldmat
FMAT/SS



Universal wooden chopping board
CBB3040



Basket strainer waste decorative cover
CWC2



CUBIT 100



CU100/L - Inset with Left Handed Drainer
CU100/R - Inset with Right Handed Drainer

FEATURES

- Bowl frame 1.2mm satin stainless steel
- Edge profile thickness 1mm
- Left or right handed drainer
- 1 Punched tap hole
- 90mm waste outlet for a basket strainer waste
- Suitable for a waste disposer
- Waste and overflow included

PLUMBING OPTION

- Plumbing kit CPK100

DIMENSIONS

- Bowl depth 200mm
- Min. base unit 600mm
- Cut-out size 975 x 495mm

ACCESSORY OPTIONS

Stainless steel foldmat
FMAT/SS



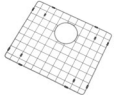
Beech chopping board
AXLCB



Chrome basket
CMBB11CH



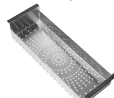
Stainless steel sink grid
CGRID12



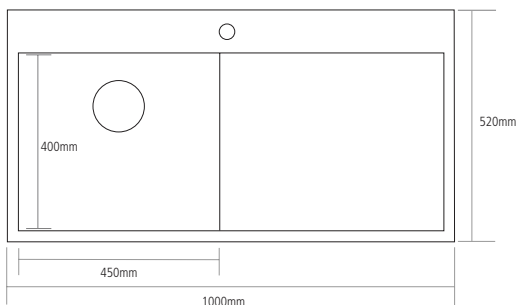
Stainless steel bowl
CSB26SS



Stainless steel strainer bowl
CSB29SS



Basket strainer waste decorative cover
CWC2



CUBIT 150



CU150/L - Inset with Left Handed Drainer
CU150/R - Inset with Right Handed Drainer

FEATURES

- Bowl frame 1.2mm satin stainless steel
- Edge profile thickness 1mm
- Left or right handed drainer
- 1 Punched tap hole
- 2 90mm waste outlets for basket strainer wastes
- Suitable for a waste disposer
- Wastes, overflows and plumbing kit included

DIMENSIONS

- Main bowl depth 200mm
- Small bowl depth 150mm
- Min. base unit 600mm
- Cut-out size 975 x 495mm

ACCESSORY OPTIONS

Stainless steel foldmat
FMAT/SS



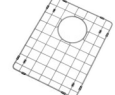
Beech chopping board
AXLCB



Chrome grid
CGRID6



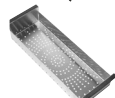
Stainless steel sink grid
CGRID13



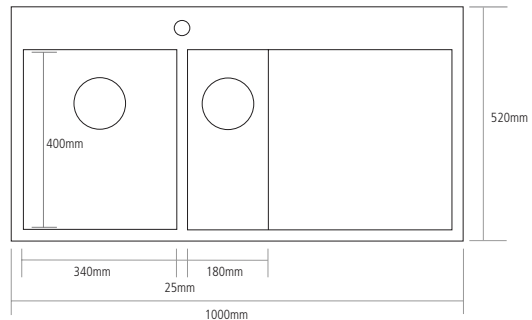
Stainless steel bowl
CSB26SS



Stainless steel strainer bowl
CSB29SS



Basket strainer waste decorative cover
CWC2



NADA 100



NADA 150



NA100/L - Inset and Undermount with Left Handed Drainer
NA100/R - Inset and Undermount with Right Handed Drainer

FEATURES

- Bowl frame 1.2mm satin stainless steel
- Edge profile thickness 1mm
- Left or right handed drainer
- 90mm waste outlet for a basket strainer waste
- Suitable for a waste disposer
- Waste and overflow included
- Decorative waste cover included [CWC2]

PLUMBING OPTION

- Plumbing kit CPK100

DIMENSIONS

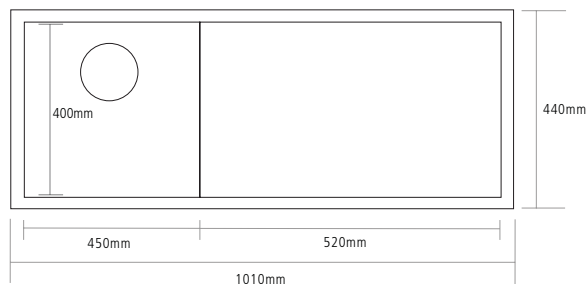
- Bowl depth 200mm
- Min. base unit 600mm
- Inset cut-out size 990 x 420mm
- Undermount cut-out size 970 x 400mm

FITTING OPTION



Inset

Undermounted



NA150/L - Inset and Undermount with Left Handed Drainer
NA150/R - Inset and Undermount with Right Handed Drainer

FEATURES

- Bowl frame 1.2mm satin stainless steel
- Edge profile thickness 1mm
- Left or right handed drainer
- 2 90mm waste outlets for basket strainer wastes
- Suitable for a waste disposer
- Wastes and overflows included
- Decorative waste cover included [2 x CWC2]

PLUMBING OPTION

- Plumbing kit CPK100

DIMENSIONS

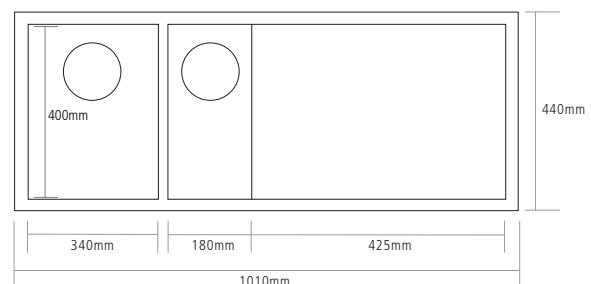
- Main bowl depth 200mm
- Small bowl depth 150mm
- Min. base unit 600mm
- Inset cut-out size 990 x 420mm
- Undermount cut-out size 970 x 400mm

FITTING OPTION

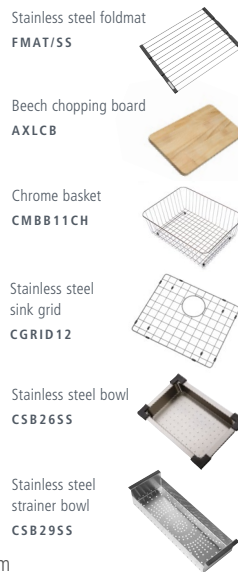


Inset

Undermounted



ACCESSORY OPTIONS



ACCESSORY OPTIONS



VERTICE 100



VER100L - Inset with Left Handed Drainer
VER100R - Inset with Right Handed Drainer

FEATURES

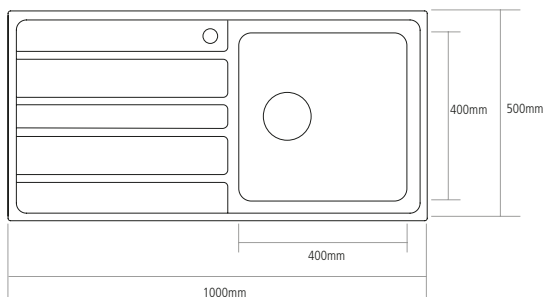
- 0.9mm brushed stainless steel
- Low profile cut edge detail
- Left or right handed drainer
- 1 Punched tap hole
- 90mm waste outlet for a basket strainer waste
- Suitable for a waste disposer
- Waste and overflow included

PLUMBING OPTION

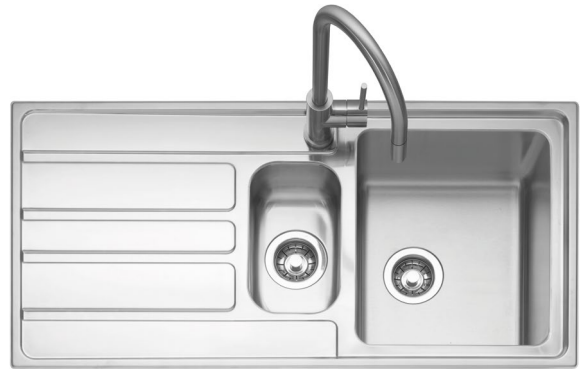
- Plumbing kit CPK100

DIMENSIONS

- Bowl depth 190mm
- Min. base unit 600mm
- Overall sink depth 205mm
- Cut-out size 982 x 482mm



VERTICE 150



VER150L - Inset with Left Handed Drainer
VER150R - Inset with Right Handed Drainer

FEATURES

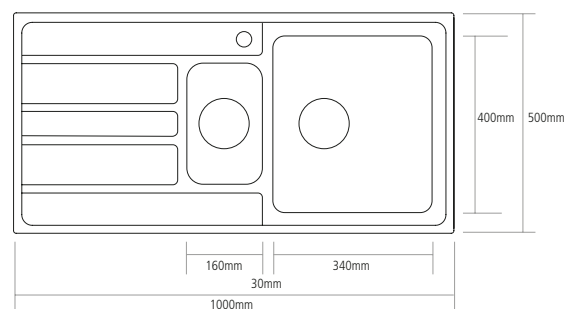
- 0.9mm brushed stainless steel
- Low profile cut edge detail
- Left or right handed drainer
- 1 Punched tap hole
- 2 90mm waste outlets for basket strainer wastes
- Suitable for a waste disposer
- Wastes, overflow and plumbing kit included

PLUMBING OPTION

- Plumbing kit CPK100

DIMENSIONS

- Main bowl depth 190mm
- Small bowl depth 110mm
- Min. base unit 600mm
- Overall sink depth 205mm
- Cut-out size 982 x 482mm



ACCESSORY OPTIONS

Glass chopping board
CVCB2



Basket strainer waste
 decorative cover
CWC2



ACCESSORY OPTIONS

Glass chopping board
CVCB2



Chrome basket
CMBB1CH



Chrome sink grid
CGRID6



Basket strainer waste
 decorative cover
CWC2



LYON 100



LYON 150



LY100SS/L - Inset with Left Handed Drainer
LY100SS/R - Inset with Right Handed Drainer

FEATURES

- Bowl 0.8 mm frame 0.9mm satin stainless steel
- Left or right handed drainer
- 1 Punched tap hole
- 90mm waste outlet for a basket strainer waste
- Suitable for a waste disposer
- Waste and overflow included

PLUMBING OPTION

- Plumbing kit CPK100

DIMENSIONS

- Bowl depth 200mm
- Min. base unit 600mm
- Cut-out size 978 x 480mm

ACCESSORY OPTIONS



LY150SS/L - Inset with Left Handed Drainer
LY150SS/R - Inset with Right Handed Drainer

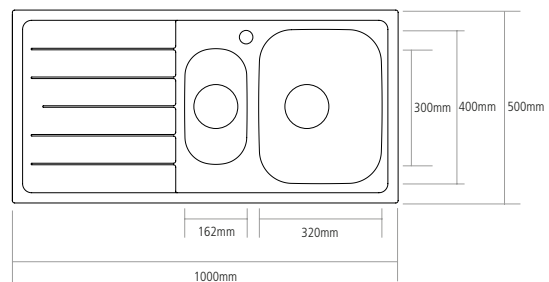
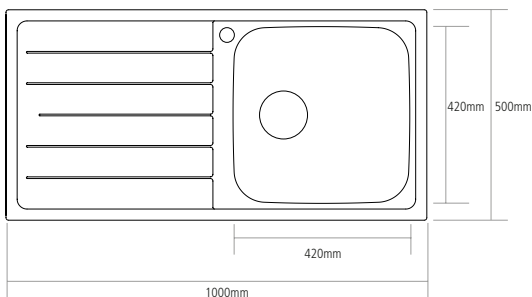
FEATURES

- Bowl 0.8 mm frame 0.9mm satin stainless steel
- Left or right handed drainer
- 1 Punched tap hole
- 2 90mm waste outlets for basket strainer wastes
- Suitable for a waste disposer
- Waste, overflow and plumbing kit included

DIMENSIONS

- Main bowl depth 200mm
- Small bowl depth 128mm
- Min. base unit 600mm
- Cut-out size 978 x 480mm

ACCESSORY OPTIONS



VANGA 90



VANGA 100



VA90/L - Inset with Left Handed Drainer
VA90/R - Inset with Right Handed Drainer

FEATURES

- 0.8mm satin stainless steel
- Left or right handed drainer
- 1 Punched tap hole
- 90mm waste outlet for a basket strainer waste
- Suitable for a waste disposer
- Waste and overflow included

PLUMBING OPTION

- Plumbing kit CPK100

DIMENSIONS

- Main bowl depth 200mm
- Min. base unit 500mm
- Cut-out size 780 x 480mm

ACCESSORY OPTIONS

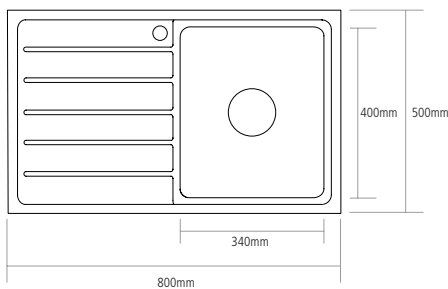
Roweca anthracite chopping board
VACB



Chrome sink grid
CGRID6



Basket strainer waste decorative cover
CWC2



VA100/L - Inset with Left Handed Drainer
VA100/R - Inset with Right Handed Drainer

FEATURES

- 0.8mm satin stainless steel
- Left or right handed drainer
- 1 Punched tap hole
- 90mm waste outlet for a basket strainer waste
- Suitable for a waste disposer
- Waste and overflow included

PLUMBING OPTION

- Plumbing kit CPK100

DIMENSIONS

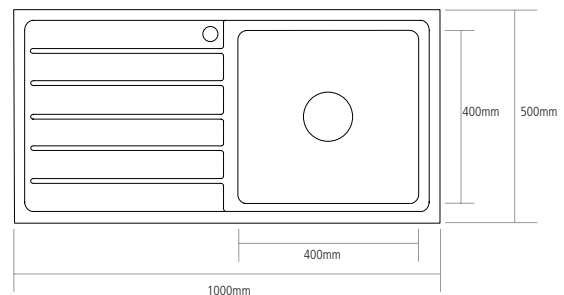
- Bowl depth 200mm
- Min. base unit 600mm
- Cut-out size 980 x 480mm

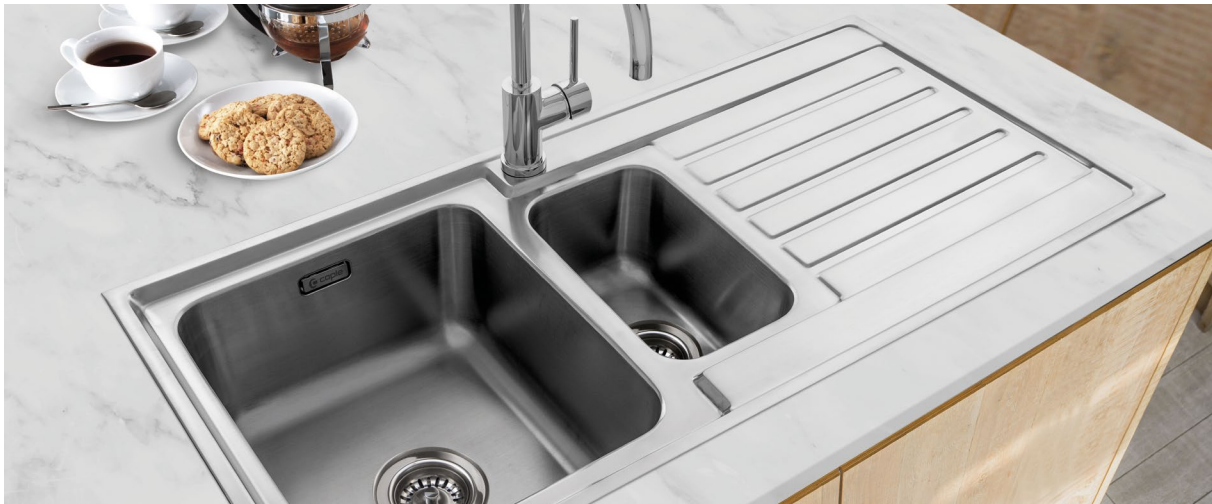
ACCESSORY OPTIONS

Roweca anthracite chopping board
VACB



Basket strainer waste decorative cover
CWC2





VANGA 150



VA150/L - Inset with Left Handed Drainer
VA150/R - Inset with Right Handed Drainer

FEATURES

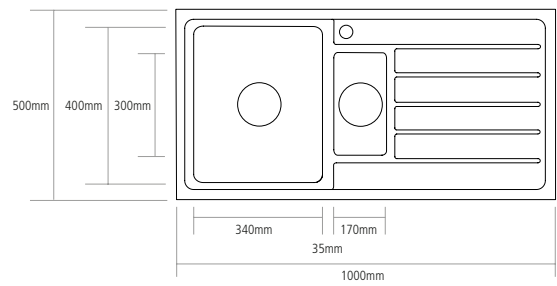
- 0.8mm satin stainless steel
- Left or right handed drainer
- 1 Punched tap hole
- 2 90mm waste outlets for basket strainer wastes
- Suitable for a waste disposer
- Wastes, overflow and plumbing kit included

DIMENSIONS

- Main bowl depth 200mm
- Small bowl depth 175mm
- Min. base unit 600mm
- Cut-out size 980 x 480mm

ACCESSORY OPTIONS

- Roweca anthracite chopping board
VACB
- Chrome sink grid
CGRID6
- Basket strainer waste decorative cover
CWC2

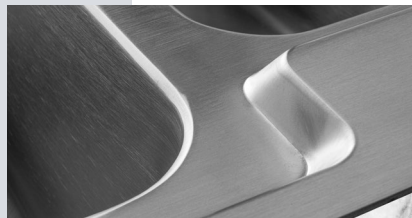




Rello Inset Sinks.

Unique design and a superb low profile sleek edge that can also be flush mounted.

To create a seamless finish Rello sinks have a discreet 0.9mm low profile edge which can be flushed mounted to achieve a beautifully smooth fit.



RELLO 100



RELLO 150



REL100L - Inset with Left Handed Drainer
REL100R - Inset with Right Handed Drainer

FEATURES

- Bowl frame 0.8mm satin stainless steel
- Low profile 0.9mm edge allowing for flush mounted installation
- Left or right handed drainer
- 1 Punched tap hole
- 90mm waste outlet for a basket strainer waste
- Suitable for a waste disposer
- Waste and overflow included

PLUMBING OPTION

- Plumbing kit CPK100

DIMENSIONS

- Bowl depth 195mm
- Min. base unit 600mm
- Cut-out size 980 x 480mm

ACCESSORY OPTIONS



REL150L - Inset with Left Handed Drainer
REL150R - Inset with Right Handed Drainer

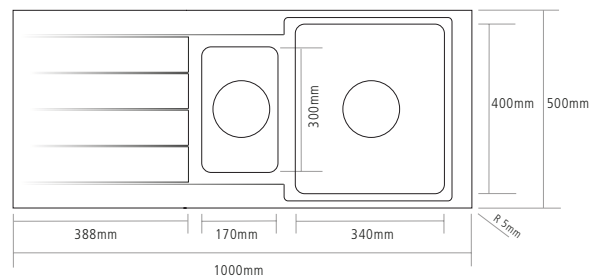
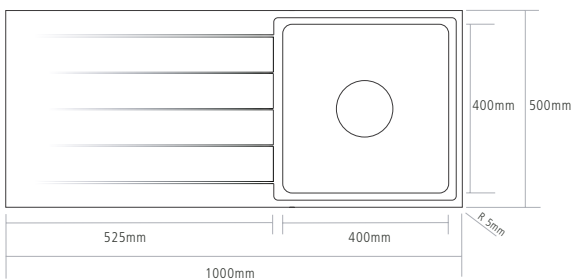
FEATURES

- Bowl frame 0.8mm satin stainless steel
- Low profile 0.9mm edge allowing for flush mounted installation
- Left or right handed drainer
- 1 Punched tap hole
- 2 90mm waste outlets for basket strainer wastes
- Suitable for a waste disposer
- Waste, overflow and plumbing kit included

DIMENSIONS

- Main bowl depth 195mm
- Small bowl depth 175mm
- Min. base unit 600mm
- Cut-out size 980 x 480mm

ACCESSORY OPTIONS



BLAZE 100**BLAZE 150**

BZ100/L - Inset with Left Handed Drainer
BZ100/R - Inset with Right Handed Drainer

FEATURES

- Bowl 0.8 mm frame 1mm satin stainless steel
- 1mm low profile edge
- Left or right handed drainer
- 1 Punched tap hole
- 90mm waste outlet for a basket strainer waste
- Suitable for a waste disposer
- Waste and overflow included

PLUMBING OPTION

- Plumbing kit CPK100

DIMENSIONS

- Bowl depth 200mm
- Min. base unit 600mm
- Cut-out size 978 x 480mm

ACCESSORY OPTIONS

Glass chopping board
CGCB2



Basket strainer waste decorative cover
CWC2



BZ150/L - Inset with Left Handed Drainer
BZ150/R - Inset with Right Handed Drainer

FEATURES

- Bowl 0.8 mm frame 1mm satin stainless steel
- 1mm low profile edge
- Left or right handed drainer
- 1 Punched tap hole
- 2 90mm waste outlets for basket strainer wastes
- Suitable for a waste disposer
- Wastes, overflow and plumbing kit included

DIMENSIONS

- Main bowl depth 200mm
- Small bowl depth 128mm
- Min. base unit 600mm
- Cut-out size 978 x 480mm

ACCESSORY OPTIONS

Glass chopping board
CGCB2



Chrome main bowl basket
CMBB31CH



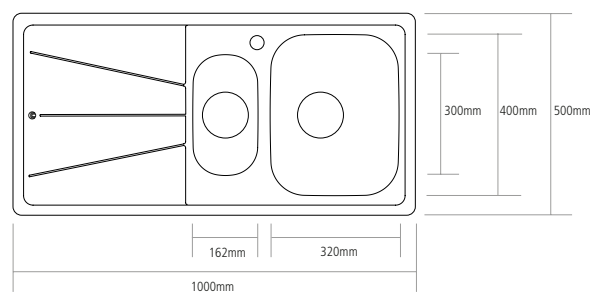
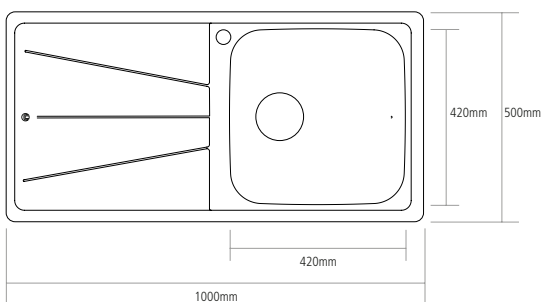
Stainless steel strainer bowl
CSB25S



Chrome small bowl basket
CSB10CH



Basket strainer waste decorative cover
CWC2



DOVE 100



DOVE 150



DO100SS - Inset with Drainer

FEATURES

- 0.7mm satin stainless steel
- Reversible
- 2 Punched tap holes [one for tap hole stopper]
- 90mm waste outlet for a basket strainer waste
- Suitable for a waste disposer
- Waste and overflow included

PLUMBING OPTION

- Plumbing kit CPK100

DIMENSIONS

- Bowl depth 180mm
- Min. base unit 450mm
- Cut-out size 838 x 480mm

ACCESSORY OPTIONS

Universal wooden chopping board
CBB3040



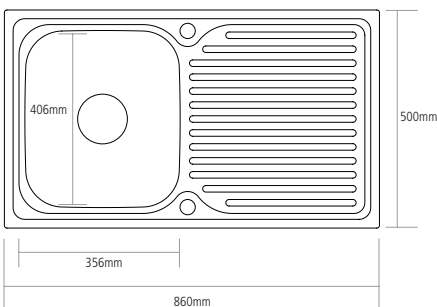
Chrome main bowl basket
CMBB13CH



Chrome sink grid
CGRID6



Basket strainer waste decorative cover
CWC2



DO150SS - Inset with Drainer

FEATURES

- 0.7mm satin stainless steel
- Reversible
- 2 Punched tap holes [one for tap hole stopper]
- 2 90mm waste outlets for basket strainer wastes
- Suitable for a waste disposer
- Wastes, overflow and plumbing kit included

DIMENSIONS

- Main bowl depth 180mm
- Small bowl depth 128mm
- Min. base unit 600mm
- Cut-out size 978 x 480mm

ACCESSORY OPTIONS

Universal wooden chopping board
CBB3040



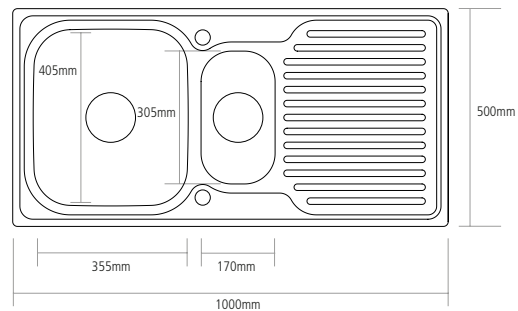
Chrome main bowl basket
CMBB13CH



Chrome small bowl basket
CSB10CH



Basket strainer waste decorative cover
CWC2



CRANE 91 INSET WITH DRAINER



CRANE 101 INSET WITH DRAINER



CR91SS - Inset with Drainer

FEATURES

- 0.5mm satin stainless steel
- Reversible
- 2 Punched tap holes [one for tap hole stopper]
- 90mm waste outlet for a basket strainer waste
- Suitable for a waste disposer
- Waste and overflow included

PLUMBING OPTION

- Plumbing kit CPK100

DIMENSIONS

- Bowl depth 155mm
- Min. base unit 450mm
- Cut-out size 776 x 486mm

ACCESSORY OPTIONS

Universal wooden chopping board
CBB3040



Chrome main bowl basket
CMBB31CH



Basket strainer waste decorative cover
CWC2



CR101SS - Inset with Drainer

FEATURES

- 0.5mm satin stainless steel
- Reversible
- 2 Punched tap holes [one for tap hole stopper]
- 90mm waste outlet for a basket strainer waste
- Suitable for a waste disposer
- Waste and overflow included

PLUMBING OPTION

- Plumbing kit CPK100

DIMENSIONS

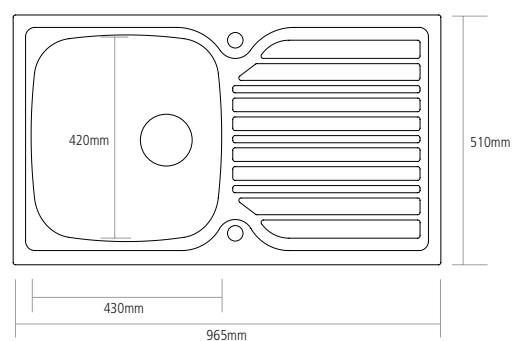
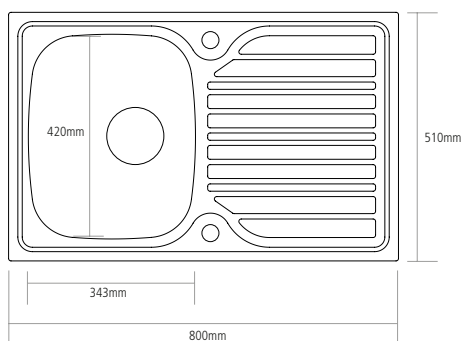
- Main bowl depth 160mm
- Min. base unit 600mm
- Cut-out size 941 x 486mm

ACCESSORY OPTIONS

Universal wooden chopping board
CBB3040



Basket strainer waste decorative cover
CWC2





CRANE 151



CR151SS - Inset with Drainer

FEATURES

- 0.5mm satin stainless steel
- Reversible
- 2 Punched tap holes [one for tap hole stopper]
- 2 90mm waste outlets for basket strainer wastes
- Suitable for a waste disposer
- Wastes and overflow included

PLUMBING OPTION

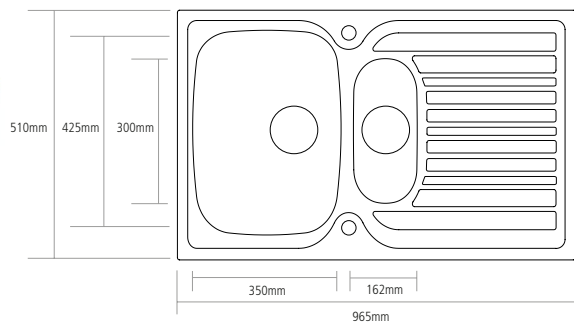
- Plumbing kit CPK200

DIMENSIONS

- Main bowl depth 155mm
- Small bowl depth 90mm
- Min. base unit 600mm
- Cut-out size 941 x 486mm

ACCESSORY OPTIONS

- Universal wooden chopping board
CBB3040
- Chrome main bowl basket
CMBB31CH
- Stainless steel strainer bowl
CSB2SS
- Chrome small bowl basket
CSB10CH
- Basket strainer waste decorative cover
CWC2



Axle Inset + Undermounted Sinks.

With a choice of two sizes, each sink includes a steel colander and a wooden chopping board, both of which are specially designed to fit the bowl perfectly.

Each accessory sits side-by-side on a small ledge making it quick and easy to chop, drain and rinse freely.

Axle sinks are ideal for apartment living, freeing up valuable worktop areas when space-saving is key.



Beech chopping board + stainless steel colander included



AXLE 175



AXLE 50



AXL175 - Inset

FEATURES

- 1mm stainless steel
- 1 tap hole
- 90mm waste kit, overflow and plumbing kit included
- Colander and chopping board for bowl ledge included
- Suitable for a waste disposer

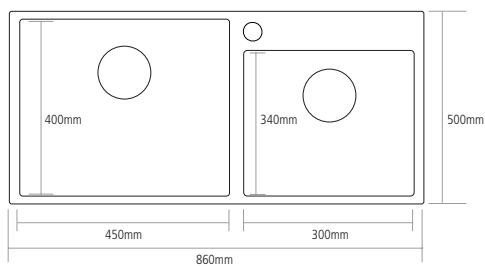
ACCESSORIES INCLUDED



Stainless steel colander and beech chopping board

DIMENSIONS

- Main bowl depth 220mm
- Small bowl depth 185mm
- Min. base unit 900mm
- Inset cut-out size 480 x 840mm



AXL50 - Inset or Undermounted

FEATURES

- 1mm stainless steel
- No tap facility
- 90mm waste kit, overflow and plumbing kit included
- Colander and chopping board for bowl ledge included
- Suitable for a waste disposer

ACCESSORIES INCLUDED



Stainless steel colander and beech chopping board

DIMENSIONS

- Bowl depth 200mm
- Min. base unit 600mm
- Inset cut-out size 420 x 520mm
- Undermount cut-out size 405 x 505mm

For cut-out shape go to caple.co.uk for template

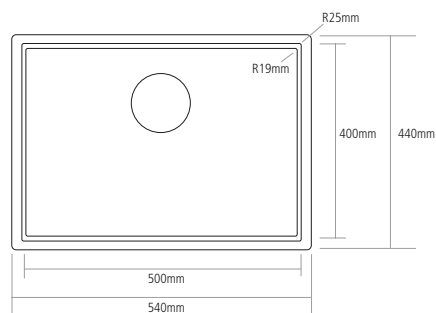
FITTING OPTIONS



Inset



Undermounted



Zona Inset + Undermounted sink.

The stunning Zona sink offers the ultimate in flexibility and is combined with a sleek ultra-modern design - it's perfect for preparing dinner or chilling a glass of bubbly with ice in the bottle holder.



With a colander, cup stand, and bottle holder included, this impressive list of features can be boosted further with the addition of the CCB3 custom chopping board [sold separately].

The Zona can be inset or undermounted allowing you to combine it beautifully with any worktop.

ZONA 100



ZONA100 - Inset or Undermount

FEATURES

- 1.2mm brushed stainless steel
- No tap facility
- 90mm waste outlet for a basket strainer waste
- Suitable for a waste disposer
- Waste and overflow included
- Colander, cup stand and bottle holder included

PLUMBING OPTION

- Plumbing kit CPK100

DIMENSIONS

- Sink depth 191mm
- Overall depth 203mm
- Min. base unit 500mm
- Inset cut-out size 484 x 288mm

For cut-out shape go to caple.co.uk for template

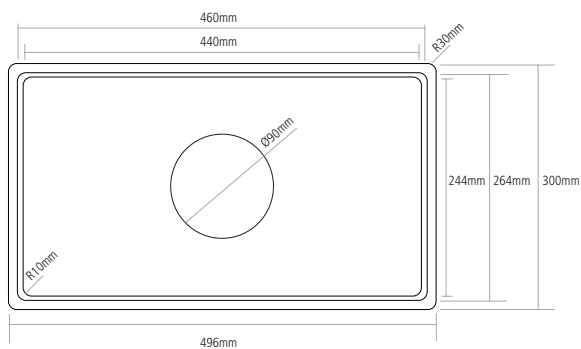
FITTING OPTIONS



Inset



Undermounted



ACCESSORY OPTIONS

Custom chopping board
CCB3



Basket strainer waste decorative cover
CWC2



Stainless steel colander [included]



Beech chopping board CCB3 [sold separately]



Stainless steel colander, cup stand and bottle holder [included]

Zero Individual + Multiple Bowls.

For the razor-sharp, minimalist look adopted by designer kitchen aficionados, nothing is better than Zero. These bowls feature crisp edges and clean lines in an uncluttered design.

LOOKING SHARP

The clean lines and minimalist styling of our Zero sinks suit modern kitchens to a tee.

Featuring a unique angular bowl with a zero degree radius and tapered base, they'll take your designer kitchen to a new level.

PERFECT FIT

The striking geometric bowls come in many sizes and can be inset or undermounted for countless creative possibilities. With multiple bowls and a sleek shallow drainer also available you can let your imagination run riot.

Team a Zero bowl with a matching drainer, adding a unique touch to your kitchen. If you're really out to impress why not try a combination of two Zero sinks and a matching drainer.



ZERO 45 DRAINER



ZERO 20



ZEROD45 - Inset or Undermount

FEATURES

- 1mm brushed stainless steel
- No tap facility
- 90mm waste outlet for a basket strainer waste
- Suitable for a waste disposer
- Waste included

PLUMBING OPTION

- Plumbing kit CPK100

DIMENSIONS

- Drainer depth 25mm
- Min. base unit 500mm
- Undermount cut-out size 450 x 400mm
- Inset cut-out size 479 x 429mm

For cut-out shape go to caple.co.uk for template

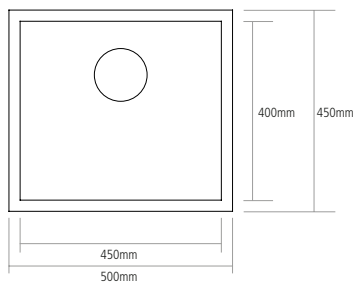
FITTING OPTIONS



Inset

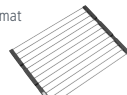


Undermounted



ACCESSORY OPTIONS

Stainless steel foldmat
FMAT/SS



Basket strainer waste decorative cover
CWC2



ZERO20 - Inset or Undermounted

FEATURES

- 1mm brushed stainless steel
- No tap facility
- 90mm waste outlet for a basket strainer waste
- Suitable for a waste disposer
- Waste and overflow included

PLUMBING OPTION

- Plumbing kit CPK100

DIMENSIONS

- Bowl depth 140mm
- Min. base unit 300mm
- Undermount cut-out size 200 x 400mm
- Inset cut-out size 229 x 429mm

For cut-out shape go to caple.co.uk for template

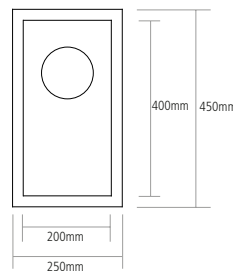
FITTING OPTIONS



Inset

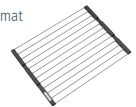


Undermounted



ACCESSORY OPTIONS

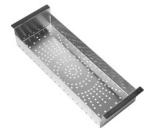
Stainless steel foldmat
FMAT/SS



Roweca anthracite chopping board
VACB



Stainless steel strainer bowl
CSB29SS



Basket strainer waste decorative cover
CWC2



ZERO 35



ZERO 45



ZERO35 - Inset or Undermount

FEATURES

- 1mm brushed stainless steel
- No tap facility
- 90mm waste outlet for a basket strainer waste
- Suitable for a waste disposer
- Waste and overflow included

PLUMBING OPTION

- Plumbing kit CPK100

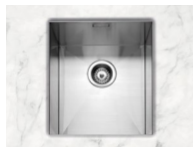
DIMENSIONS

- Bowl depth 200mm
 - Min. base unit 400mm
 - Undermount cut-out size 350 x 400mm
 - Inset cut-out size 379 x 429mm
- For cut-out shape go to caple.co.uk for template

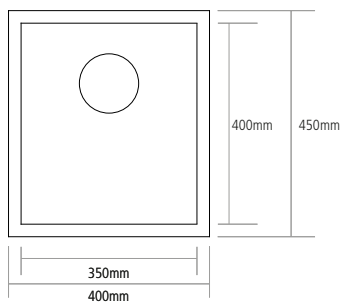
FITTING OPTIONS



Inset

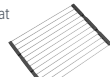


Undermounted



ACCESSORY OPTIONS

Stainless steel foldmat
FMAT/SS



Roweca anthracite chopping board
VACB



Chrome sink grid
CGRID6



Stainless steel strainer bowl
CSB29SS



Basket strainer waste decorative cover
CWC2



ZERO45 - Inset or Undermount

FEATURES

- 1mm brushed stainless steel
- No tap facility
- 90mm waste outlet for a basket strainer waste
- Suitable for a waste disposer
- Waste and overflow included

PLUMBING OPTION

- Plumbing kit CPK100

DIMENSIONS

- Bowl depth 200mm
 - Min. base unit 500mm
 - Undermount cut-out size 450 x 400mm
 - Inset cut-out size 479 x 429mm
- For cut-out shape go to caple.co.uk for template

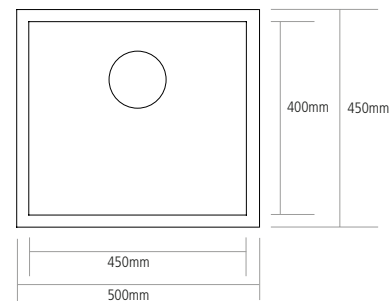
FITTING OPTIONS



Inset

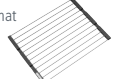


Undermounted



ACCESSORY OPTIONS

Stainless steel foldmat
FMAT/SS



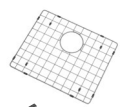
Roweca anthracite chopping board
VACB



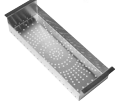
Chrome basket
CMBB11CH



Stainless steel sink grid
CGRID12



Stainless steel strainer bowl
CSB29SS



Basket strainer waste decorative cover
CWC2



ZERO 55



ZERO 150



Right handed small bowl

ZERO55 - Inset or Undermount

FEATURES

- 1mm brushed stainless steel
- No tap facility
- 90mm waste outlet for a basket strainer waste
- Suitable for a waste disposer
- Waste and overflow included

PLUMBING OPTION

- Plumbing kit CPK100

DIMENSIONS

- Bowl depth 200mm
 - Min. base unit 600mm
 - Undermount cut-out size 550 x 400mm
 - Inset cut-out size 579 x 429mm
- For cut-out shape go to caple.co.uk for template

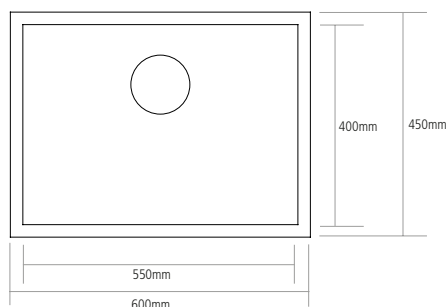
FITTING OPTIONS



Inset

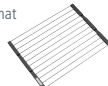


Undermounted



ACCESSORY OPTIONS

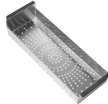
Stainless steel foldmat
FMAT/SS



Roweca anthracite chopping board
VACB



Stainless steel strainer bowl
CSB295S



Basket strainer waste decorative cover
CWC2



ZERO150R - Inset or Undermount

ZERO150L - Inset or Undermount

FEATURES

- 1mm brushed stainless steel
- Left or right handed small bowl
- No tap facility
- 2 90mm waste outlets for basket strainer wastes
- Suitable for a waste disposer
- Wastes, overflows and plumbing kit included

DIMENSIONS

- Main bowl depth 200mm
 - Small bowl depth 140mm
 - Min. base unit 600mm
 - Undermount cut-out size 546 x 400mm
 - Inset cut-out size 575 x 429mm
- For cut-out shape go to caple.co.uk for template

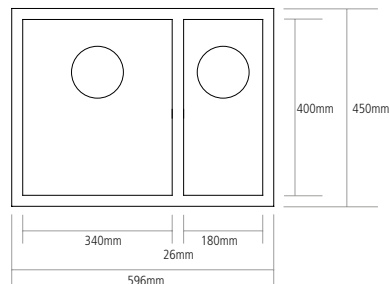
FITTING OPTIONS



Inset

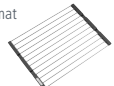


Undermounted



ACCESSORY OPTIONS

Stainless steel foldmat
FMAT/SS



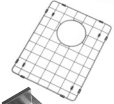
Roweca anthracite chopping board
VACB



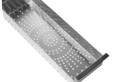
Chrome sink grid
CGRID6



Stainless steel sink grid
CGRID13



Stainless steel strainer bowl
CSB295S



Basket strainer waste decorative cover
CWC2



Mode Individual + Multiple Bowls.

Chic, modern and sophisticated sums up our Mode collection.

These smart stainless steel bowls provide a wide variety of options that will finish off your modern kitchen – beautifully.



MODERN MODE

Mode's distinctive look combines ultra modern straight edges and subtly curved corners. The result? A contemporary sink with a touch of class.

TRULY VERSATILE

Whether you prefer an inset or undermounted look, Mode sinks are flexible enough to accommodate any worktop and tap of your choice.

MODE 45 DRAINER



MODE 25



MODED045 - Inset or Undermount

FEATURES

- 1mm brushed stainless steel
- No tap facility
- 90mm waste outlet for a basket strainer waste
- Suitable for a waste disposer
- Waste included

PLUMBING OPTION

- Plumbing kit CPK100

DIMENSIONS

- Drainer depth 25mm
- Min. base unit 500mm
- Inset cut-out size 424 x 474mm

For cut-out shape go to caple.co.uk for template

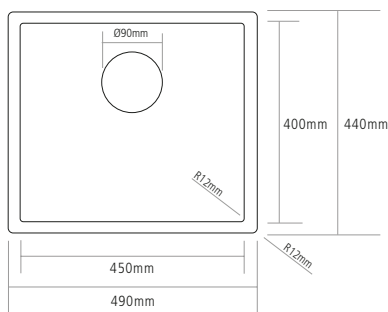
FITTING OPTIONS



Inset



Undermounted



ACCESSORY OPTIONS



MODE025 - Inset or Undermount

FEATURES

- 1mm brushed stainless steel
- No tap facility
- 90mm waste outlet for a basket strainer waste
- Suitable for a waste disposer
- Waste and overflow included

PLUMBING OPTION

- Plumbing kit CPK100

DIMENSIONS

- Bowl depth 200mm
- Min. base unit 300mm
- Inset cut-out size 274 x 424mm

For cut-out shape go to caple.co.uk for template

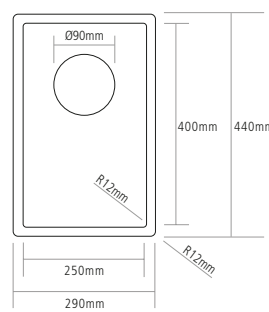
FITTING OPTIONS



Inset



Undermounted



ACCESSORY OPTIONS



MODE 34



MODE 40



MODE034 - Inset or Undermount

FEATURES

- 1mm brushed stainless steel
- No tap facility
- 90mm waste outlet for a basket strainer waste
- Suitable for a waste disposer
- Waste and overflow included

PLUMBING OPTION

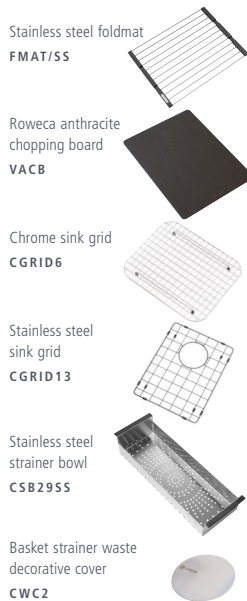
- Plumbing kit CPK100

DIMENSIONS

- Bowl depth 200mm
- Min. base unit 400mm
- Inset cut-out size 364 x 424mm

For cut-out shape go to caple.co.uk for template

ACCESSORY OPTIONS



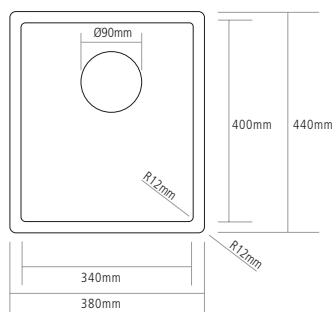
FITTING OPTIONS



Inset



Undermounted



MODE040 - Inset or Undermount

FEATURES

- 1mm brushed stainless steel
- No tap facility
- 90mm waste outlet for a basket strainer waste
- Suitable for a waste disposer
- Waste and overflow included

PLUMBING OPTION

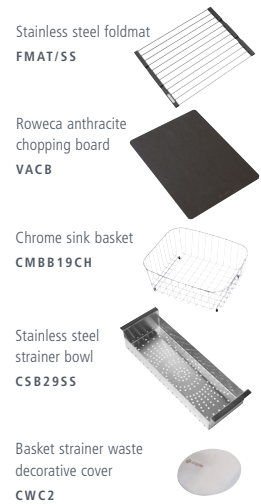
- Plumbing kit CPK100

DIMENSIONS

- Bowl depth 200mm
- Min. base unit 450mm
- Inset cut-out size 424 x 424mm

For cut-out shape go to caple.co.uk for template

ACCESSORY OPTIONS



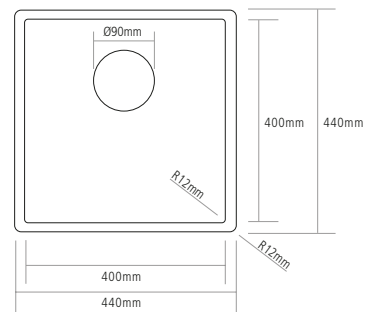
FITTING OPTIONS



Inset



Undermounted



MODE 45



MODE 50



MODE045 - Inset or Undermount

FEATURES

- 1mm brushed stainless steel
- No tap facility
- 90mm waste outlet for a basket strainer waste
- Suitable for a waste disposer
- Waste and overflow included

PLUMBING OPTION

- Plumbing kit CPK100

DIMENSIONS

- Bowl depth 200mm
- Min. base unit 500mm
- Inset cut-out size 424 x 474mm

For cut-out shape go to caple.co.uk for template

ACCESSORY OPTIONS

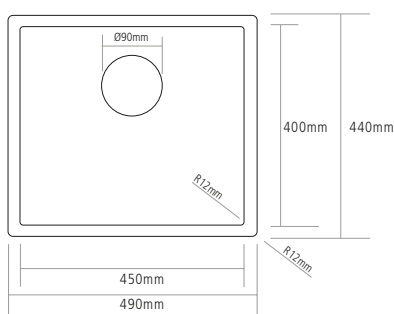


FITTING OPTIONS



Inset

Undermounted



MODE050 - Inset or Undermount

FEATURES

- 1mm brushed stainless steel
- No tap facility
- 90mm waste outlet for a basket strainer waste
- Suitable for a waste disposer
- Waste and overflow included

PLUMBING OPTION

- Plumbing kit CPK100

DIMENSIONS

- Bowl depth 200mm
- Min. base unit 600mm
- Inset cut-out size 524 x 424mm

For cut-out shape go to caple.co.uk for template

ACCESSORY OPTIONS

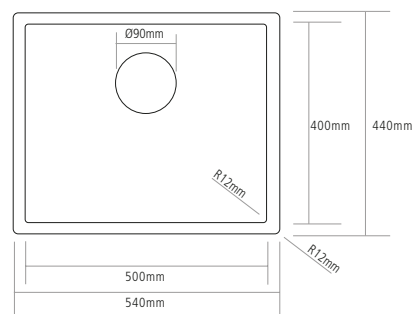


FITTING OPTIONS



Inset

Undermounted



Metallic Magic.



IT'S ALL IN THE DETAIL

Opt for inset fit for the MODE175/GD to reveal a 3mm edge with gold detail around the perimeter of the sink. It's the small details that can make the biggest impact.

PVD COATING

All our metallic sinks, taps, wastes and overflows are coloured using physical vapour deposition. PVD refers to a variety of thin film deposition techniques where solid metal is vaporized in a high vacuum environment and deposited on electrically conductive materials as a pure metal or alloy coating. Commonly used on high end watches and formula one cars, PVD is most effective way to colour metal.

MIX + MATCH

All of our Mode sinks are supplied with a waste and overflow. However, if you want to make a statement why not mix and match with one of our contrasting metallic wastes and overflow. See pg 76.

MODE 175 GOLD + STAINLESS STEEL

MODE 175



MODE175/GD - Inset or Undermount

MODE175 - Inset or Undermount

FEATURES

- 3.0mm frame with 1.2mm brushed stainless steel and gold finish
- 1 Punched tap hole
- 2 90mm waste outlets for a basket strainer wastes
- Suitable for a waste disposer
- Wastes and overflow included

PLUMBING OPTION

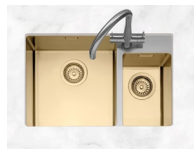
- Plumbing kit CPK200

DIMENSIONS

- Main bowl depth 220mm
- Small bowl depth 200mm
- Min. base unit 800mm

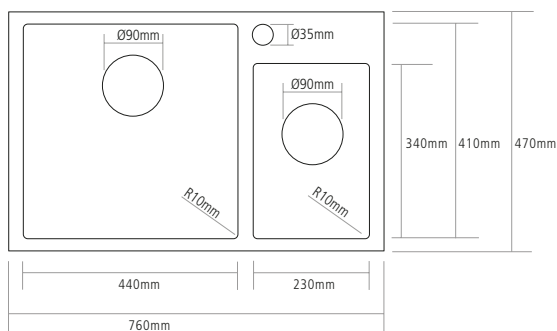
For cut-out shape go to caple.co.uk for template

FITTING OPTIONS



Inset

Undermounted



ACCESSORY OPTIONS



FEATURES

- 3.0mm frame with 1.2mm brushed stainless steel
- 1 Punched tap hole
- 2 90mm waste outlets for a basket strainer wastes
- Suitable for a waste disposer
- Wastes and overflow included

PLUMBING OPTION

- Plumbing kit CPK200

DIMENSIONS

- Main bowl depth 220mm
- Small bowl depth 200mm
- Min. base unit 800mm

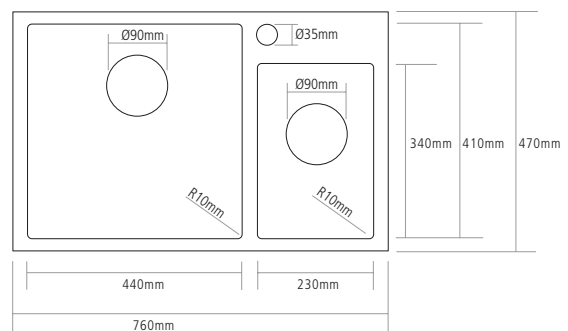
For cut-out shape go to caple.co.uk for template

FITTING OPTIONS



Inset

Undermounted



ACCESSORY OPTIONS



MODE 45 BLACK STEEL



MODE 45 COPPER



MODE045/BS - Inset or Undermount

FEATURES

- 1.2mm brushed stainless steel with black steel finish
- No tap facility
- 90mm waste outlet for a basket strainer waste
- Suitable for a waste disposer
- Waste and overflow included

PLUMBING OPTION

- Plumbing kit CPK100

DIMENSIONS

- Bowl depth 200mm
- Min. base unit 500mm
- Inset cut-out size 476 x 426mm

For cut-out shape go to caple.co.uk for template

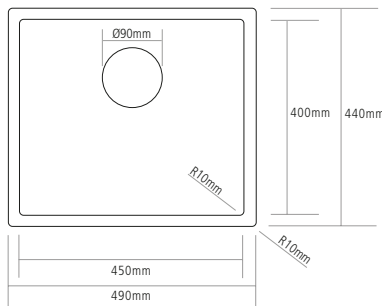
FITTING OPTIONS



Inset

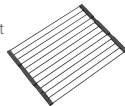


Undermounted



ACCESSORY OPTIONS

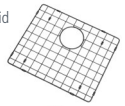
Black steel foldmat
FMAT/BS



Roweca anthracite chopping board
VACB



Black steel sink grid
CGRID12/BS



Black steel colander
MODECOL/BS



MODE045/CO - Inset or Undermount

FEATURES

- 1.2mm brushed stainless steel with copper finish
- No tap facility
- 90mm waste outlet for a basket strainer waste
- Suitable for a waste disposer
- Waste and overflow included

PLUMBING OPTION

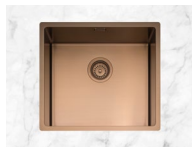
- Plumbing kit CPK100

DIMENSIONS

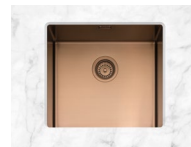
- Bowl depth 200mm
- Min. base unit 500mm
- Inset cut-out size 476 x 426mm

For cut-out shape go to caple.co.uk for template

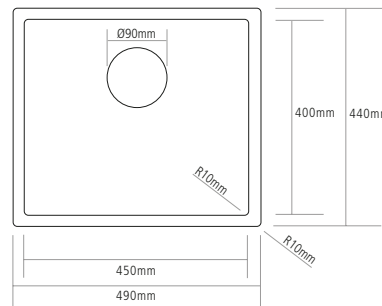
FITTING OPTIONS



Inset

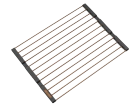


Undermounted



ACCESSORY OPTIONS

Copper foldmat
FMAT/CO



Roweca anthracite chopping board
VACB



Copper sink grid
CGRID12/CO



Copper colander
MODECOL/CO



MIX + MATCH

See page 74.

WASTE/042

Gold 90mm basket strainer waste and overflow



WASTE/033

Copper 90mm basket strainer waste and overflow



WASTE/034

Gunmetal 90mm basket strainer waste and overflow



WASTE/043

Black Steel 90mm basket strainer waste and overflow



MODE 45 GUNMETAL

MODE 45 GOLD



MODE045/GM - Inset or Undermount

MODE045/GD - Inset or Undermount

FEATURES

- 1.2mm brushed stainless steel with gunmetal finish
- No tap facility
- 90mm waste outlet for a basket strainer waste
- Suitable for a waste disposer
- Waste and overflow included

PLUMBING OPTION

- Plumbing kit CPK100

DIMENSIONS

- Bowl depth 200mm
- Min. base unit 500mm
- Inset cut-out size 476 x 426mm

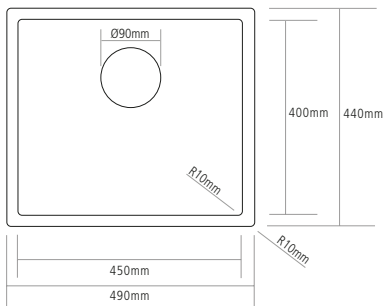
For cut-out shape go to caple.co.uk for template

FITTING OPTIONS



Inset

Undermounted



ACCESSORY OPTIONS



FEATURES

- 1.2mm brushed stainless steel with gold finish
- No tap facility
- 90mm waste outlet for a basket strainer waste
- Suitable for a waste disposer
- Waste and overflow included

PLUMBING OPTION

- Plumbing kit CPK100

DIMENSIONS

- Bowl depth 200mm
- Min. base unit 500mm
- Inset cut-out size 476 x 426mm

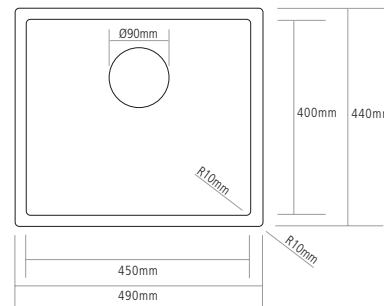
For cut-out shape go to caple.co.uk for template

FITTING OPTIONS



Inset

Undermounted



ACCESSORY OPTIONS



WASTE/042

Gold 90mm basket strainer waste and overflow



WASTE/033

Copper 90mm basket strainer waste and overflow



WASTE/034

Gunmetal 90mm basket strainer waste and overflow



WASTE/043

Black Steel 90mm basket strainer waste and overflow



MODE 3415 BLACK STEEL



MODE 3415 COPPER



MODE3415/R/BS - Inset or Undermount

FEATURES

- 1.2mm brushed stainless steel with black steel finish
- Right handed small bowl
- No tap facility
- 2 90mm waste outlets for basket strainer wastes
- Suitable for a waste disposer
- Wastes and overflows included

PLUMBING OPTION

- Plumbing kit CPK200

DIMENSIONS

- Main bowl depth 200mm
- Small bowl depth 135mm
- Min. base unit 600mm
- Inset cut-out size 541 x 426mm

For cut-out shape go to caple.co.uk for template

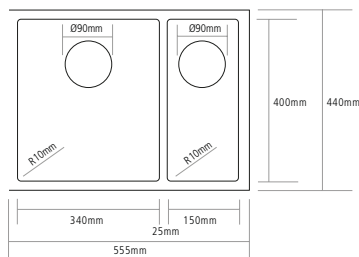
FITTING OPTIONS



Inset

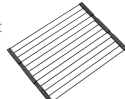


Undermounted



ACCESSORY OPTIONS

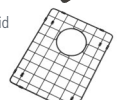
Black steel foldmat
FMAT/BS



Roweca anthracite chopping board
VACB



Black steel sink grid
CGRID13/BS



Black steel colander
MODECOL/BS



MODE3415/R/CO - Inset or Undermount

FEATURES

- 1.2mm brushed stainless steel with copper finish
- Right handed small bowl
- No tap facility
- 2 90mm waste outlets for basket strainer wastes
- Suitable for a waste disposer
- Wastes and overflows included

PLUMBING OPTION

- Plumbing kit CPK200

DIMENSIONS

- Main bowl depth 200mm
- Small bowl depth 135mm
- Min. base unit 600mm
- Inset cut-out size 541 x 426mm

For cut-out shape go to caple.co.uk for template

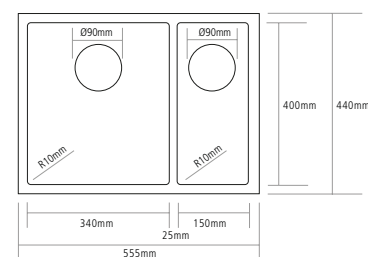
FITTING OPTIONS



Inset

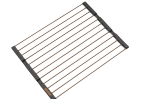


Undermounted



ACCESSORY OPTIONS

Copper foldmat
FMAT/CO



Roweca anthracite chopping board
VACB



Copper sink grid
CGRID13/CO



Copper colander
MODECOL/CO



MIX + MATCH

See page 74.

WASTE/042

Gold 90mm basket strainer waste and overflow



WASTE/033

Copper 90mm basket strainer waste and overflow



WASTE/034

Gunmetal 90mm basket strainer waste and overflow



WASTE/043

Black Steel 90mm basket strainer waste and overflow



MODE 3415 GUNMETAL

MODE 3415 GOLD



MODE3415/R/GM - Inset or Undermount

MODE3415/R/GD - Inset or Undermount

FEATURES

- 1.2mm brushed stainless steel with gunmetal finish
- Right handed small bowl
- No tap facility
- 2 90mm waste outlets for basket strainer wastes
- Suitable for a waste disposer
- Wastes and overflows included

PLUMBING OPTION

- Plumbing kit CPK200

DIMENSIONS

- Main bowl depth 200mm
- Small bowl depth 135mm
- Min. base unit 600mm
- Inset cut-out size 541 x 426mm

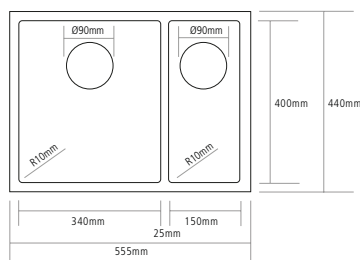
For cut-out shape go to caple.co.uk for template

FITTING OPTIONS

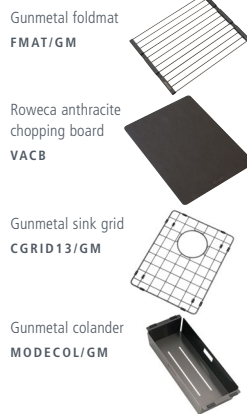


Inset

Undermounted



ACCESSORY OPTIONS



FEATURES

- 1.2mm brushed stainless steel with gold finish
- Right handed small bowl
- No tap facility
- 2 90mm waste outlets for basket strainer wastes
- Suitable for a waste disposer
- Wastes and overflows included

PLUMBING OPTION

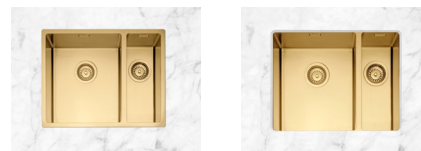
- Plumbing kit CPK200

DIMENSIONS

- Main bowl depth 200mm
- Small bowl depth 135mm
- Min. base unit 600mm
- Inset cut-out size 541 x 426mm

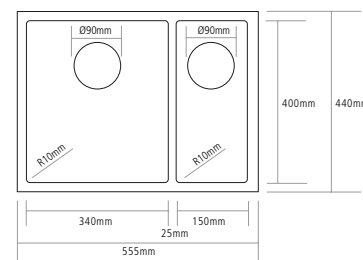
For cut-out shape go to caple.co.uk for template

FITTING OPTIONS



Inset

Undermounted



ACCESSORY OPTIONS



WASTE/042

Gold 90mm basket strainer waste and overflow



WASTE/033

Copper 90mm basket strainer waste and overflow



WASTE/034

Gunmetal 90mm basket strainer waste and overflow



WASTE/043

Black Steel 90mm basket strainer waste and overflow





MODE 3415



Right handed small bowl

MODE3415/R - Inset or Undermount with Right Handed Drainer

MODE3415/L - Inset or Undermount with Left Handed Drainer

FEATURES

- 1mm brushed stainless steel
- Left or right handed small bowl
- No tap facility
- 2 90mm waste outlets for basket strainer wastes
- Suitable for a waste disposer
- Wastes, overflows and plumbing kit included

DIMENSIONS

- Main bowl depth 200mm
- Small bowl depth 150mm
- Min. base unit 600mm
- Inset cut-out size 547 x 424mm

For cut-out shape go to caple.co.uk for template

FITTING OPTIONS



Inset



Undermounted

ACCESSORY OPTIONS

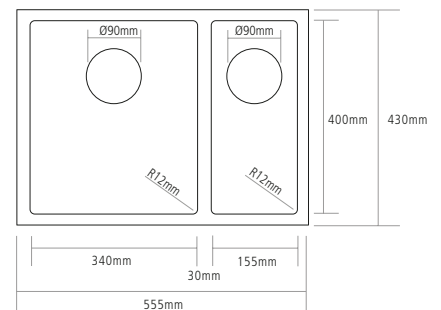
Stainless steel foldmat
FMAT/SS

Roweca anthracite chopping board
VACB

Chrome sink grid
CGRID6

Stainless steel strainer bowl
CSB2955

Basket strainer waste decorative cover
CWC2



MODE 3434

MODE 750



MODE3434 - Inset or Undermount

MODE750 - Inset or Undermount

FEATURES

- 1mm brushed stainless steel
- No tap facility
- 2 90mm waste outlets for basket strainer wastes
- Suitable for a waste disposer
- Wastes, overflows and plumbing kit included

DIMENSIONS

- Bowl depth 200mm
- Min. base unit 800mm
- Inset cut-out size 734 x 424mm

For cut-out shape go to caple.co.uk for template

FITTING OPTIONS



Inset



Undermounted

ACCESSORY OPTIONS

- Stainless steel foldmat
FMAT/SS
- Roweca anthracite chopping board
VACB
- Chrome sink grid
CGRID6
- Stainless steel strainer bowl
CSB29SS
- Basket strainer waste decorative cover
CWC2

FEATURES

- 1.2mm brushed stainless steel
- No tap facility
- 90mm waste outlets for basket strainer waste
- Suitable for a waste disposer
- Wastes, overflows and plumbing kit included

DIMENSIONS

- Bowl depth 200mm
- Min. base unit 800mm
- Inset cut-out size 736 x 426mm

For cut-out shape go to caple.co.uk for template

FITTING OPTIONS



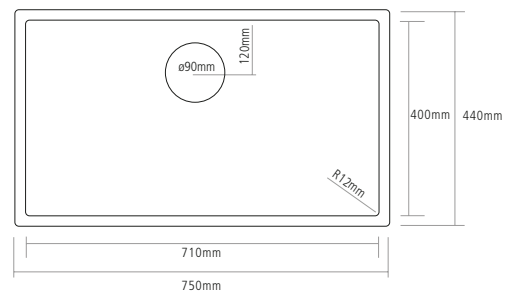
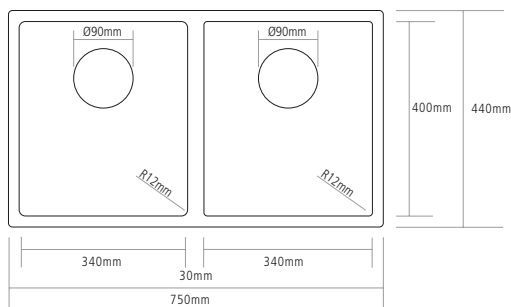
Inset



Undermounted

ACCESSORY OPTIONS

- Stainless steel foldmat
FMAT/SS
- Roweca anthracite chopping board
VACB
- Stainless steel strainer bowl
CSB29SS
- Basket strainer waste decorative cover
CWC2



The charming, individual bowls come in a selection of shapes and sizes. Or if you want a more personalised combination of sinks you can choose from our multiple bowl options.

You have the choice of an undermounted sink for use with wooden, granite or solid surface worktops, or one of our inset models that can be used with laminate surfaces.

Crafted from stainless steel, Form sinks will keep their good looks whatever you throw at them. Practical, stylish and functional, this collection meets the most demanding kitchen criteria.



Form Individual + Multiple Bowls.

With its rounded design the Form collection combines the advantages of stainless steel with traditional styling.

FORM 17



FORM 33



FORM17 - Undermount

FEATURES

- 0.8mm satin stainless steel
- No tap facility
- 90mm waste outlet for a basket strainer waste
- Suitable for a waste disposer
- Waste and overflow included

PLUMBING OPTION

- Plumbing kit CPK100

DIMENSIONS

- Bowl depth 140mm
- Min. base unit 300mm

For cut-out shape go to caple.co.uk for template

ACCESSORY OPTIONS



FORM33 - Undermount

FEATURES

- 1mm satin stainless steel
- No tap facility
- 90mm waste outlet for a basket strainer waste
- Suitable for a waste disposer
- Waste and overflow included

PLUMBING OPTION

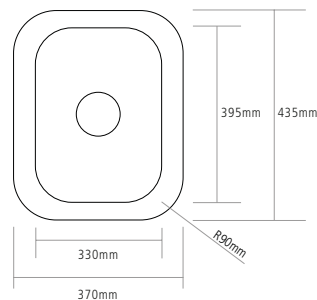
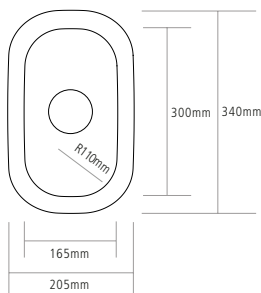
- Plumbing kit CPK100

DIMENSIONS

- Bowl depth 180mm
- Min. base unit 400mm

For cut-out shape go to caple.co.uk for template

ACCESSORY OPTIONS



FORM 42**FORM 52****FORM42 - Undermount****FEATURES**

- 1mm satin stainless steel
- No tap facility
- 90mm waste outlet for a basket strainer waste
- Suitable for a waste disposer
- Waste and overflow included

PLUMBING OPTION

- Plumbing kit CPK100

DIMENSIONS

- Main bowl depth 190mm
- Min. base unit 500mm

For cut-out shape go to caple.co.uk for template

ACCESSORY OPTIONS

Chrome basket
CMBB1CH



Basket strainer waste decorative cover
CWC2

**FORM52 - Undermount****FEATURES**

- 1mm satin stainless steel
- No tap facility
- 90mm waste outlet for a basket strainer waste
- Suitable for a waste disposer
- Waste and overflow included

PLUMBING OPTION

- Plumbing kit CPK100

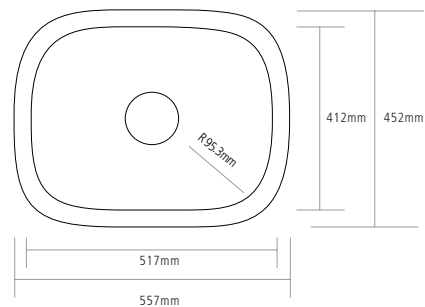
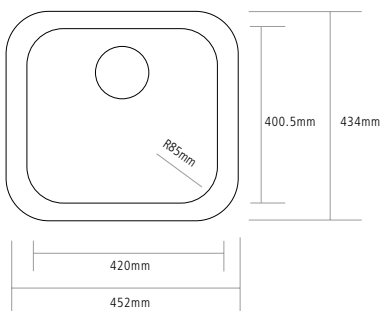
DIMENSIONS

- Bowl depth 230mm
- Min. base unit 600mm

For cut-out shape go to caple.co.uk for template

ACCESSORY OPTIONS

Basket strainer waste decorative cover
CWC2



FORM 150



Right handed small bowl

FORM 150UNI



FORM150R - Undermount Right Handed Bowl
FORM150L - Undermount Left Handed Bowl

FEATURES

- 1mm satin stainless steel
- Left or right handed small bowl
- No tap facility
- 2 90mm waste outlets for basket strainer wastes
- Suitable for a waste disposer
- Wastes, overflows and plumbing kit included

DIMENSIONS

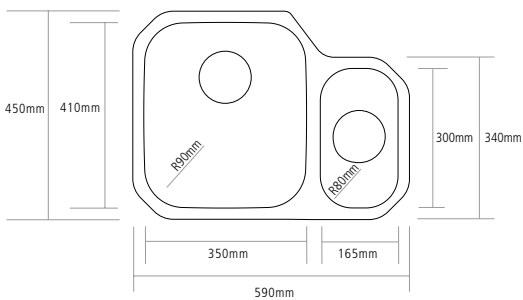
- Main bowl depth 180mm
- Small bowl depth 125mm
- Min. base unit 600mm

For cut-out shape go to caple.co.uk for template

CONFIGURATION OPTION



Left handed small bowl



FORM150UNI - Undermount

FEATURES

- 1mm satin stainless steel
- No tap facility
- 2 90mm waste outlets for basket strainer wastes
- Suitable for a waste disposer
- Wastes, overflow and plumbing kit included

DIMENSIONS

- Main bowl depth 180mm
- Small bowl depth 125mm
- Min. base unit 600mm

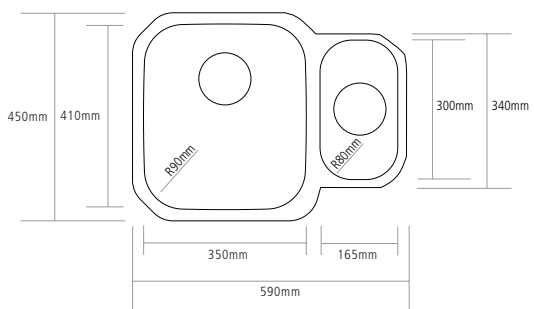
For cut-out shape go to caple.co.uk for template

ACCESSORY OPTIONS

ACCESSORY OPTIONS

- Chrome main bowl basket **CMBB13CH**
- Stainless steel small bowl basket **CSB2SS**
- Basket strainer waste decorative cover **CWC2**

- Chrome main bowl basket **CMBB13CH**
- Stainless steel small bowl basket **CSB2SS**
- Basket strainer waste decorative cover **CWC2**



FORM 45



FORM 45



BI45 - Inset or Undermount

FEATURES

- 0.8mm satin stainless steel
- No tap facility
- 90mm waste outlet for a basket strainer waste
- Suitable for a waste disposer
- Waste and overflow included

PLUMBING OPTIONS

- Plumbing kit CPK100
- Plumbing kit CPK200 if combined with DI45

DIMENSIONS

- Bowl depth 180mm
- Min. base unit 500mm
- Inset cut out size \varnothing 430mm

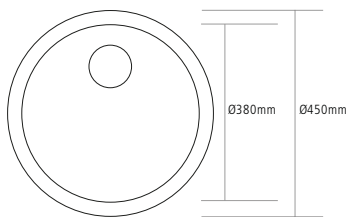
FITTING OPTIONS



Inset



Undermounted



ACCESSORY OPTIONS

Basket strainer waste
decorative cover
CWC2



DI45 - Inset or Undermount Drainer

FEATURES

- 1mm satin stainless steel
- 90mm waste outlet for a basket strainer waste

PLUMBING OPTIONS

- Plumbing kit CPK100
- Plumbing kit CPK200 if combined with BI45

DIMENSIONS

- Drainer depth 40mm
- Min. base unit 500mm
- Inset cut out size \varnothing 430mm

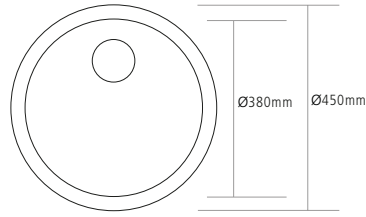
FITTING OPTIONS



Inset



Undermounted



ACCESSORY OPTIONS

Basket strainer waste
decorative cover
CWC2



Designed to accompany the round inset Form 45 bowl the handy inset Form drainer is a great way to add interest to your sink design. The sink and matching drainer combined create a perfectly symmetrical, truly classic look.



FORM 3636



FORM3636 - Undermount

FEATURES

- 1mm satin stainless steel
- No tap facility
- 2 90mm waste outlets for basket strainer wastes
- Suitable for a waste disposer
- Wastes, overflows and plumbing kit included

DIMENSIONS

- Bowl depths 210mm
- Min. base unit 900mm

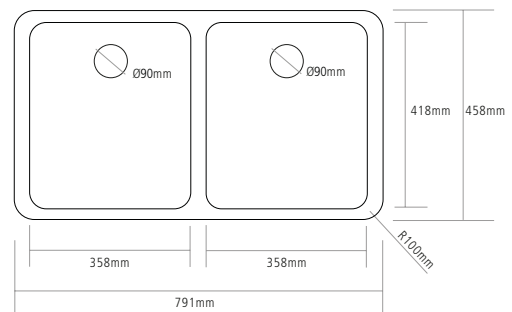
For cut-out shape go to caple.co.uk for template

ACCESSORY OPTIONS

Basket strainer waste decorative cover
CWC2



Chrome main bowl basket
CMBB31CH





Accessories.

It's the little details that make a big difference and these handy additions should not be overlooked.

Accessorise your sink with a wooden chopping board that sits neatly on top of the drainer or worktop and always on hand when you need it.

COORDINATING COLOURS

With our new range of metallic wastes and overflows you can match your sink accessories to your chosen tap.

All Caple accessories are available to buy online at caple.co.uk



WASTE KIT
BSW/BS2

- 90mm brushed steel finish basket strainer waste
- Max. sink thickness 20mm
- Suitable with selected ceramic sinks



WASTE KIT
BSW/GM

- 90mm gunmetal finish basket strainer waste
- Supplied with round and square matching overflow
- Max. sink thickness 20mm
- Suitable with selected ceramic sinks



WASTE KIT
BSW/BSTEEL

- 90mm black steel finish basket strainer waste
- Supplied with round and square matching overflow
- Max. sink thickness 20mm
- Suitable with selected ceramic sinks



WASTE KIT
BSW/BC

- 90mm blackened copper finish basket strainer waste
- Supplied with round and square matching overflow
- Max. sink thickness 20mm
- Suitable with selected ceramic sinks



WASTE KIT
BSW/CO

- 90mm copper finish basket strainer waste
- Supplied with round and square matching overflow
- Max. sink thickness 20mm
- Suitable with selected ceramic sinks



WASTE KIT
BSW/GD

- 90mm gold finish basket strainer waste
- Supplied with round and square matching overflow
- Max. sink thickness 20mm
- Suitable with selected ceramic sinks



WASTE KIT
BSW/AB

- 90mm antique brass finish basket strainer waste
- Supplied with round and square matching overflow
- Max. sink thickness 20mm
- Suitable with selected ceramic sinks



WASTE KIT
BSW/CH4

- 90mm chrome finish basket strainer waste
- Max. sink thickness 20mm
- Suitable with selected ceramic sinks



WASTE COVER
BSW

- Caple basket strainer only



WASTE COVER
CWC2

- Basket strainer waste decorative cover



WASTE KIT
WASTE/033

- 90mm copper finish basket strainer waste and overflow
- Suitable with Mode sinks



WASTE KIT
WASTE/034

- 90mm gunmetal finish basket strainer waste and overflow
- Suitable with Mode sinks



WASTE KIT
WASTE/042

- 90mm gold finish basket strainer waste and overflow
- Suitable with Mode sinks



WASTE KIT
WASTE/043

- 90mm black steel finish basket strainer waste and overflow
- Suitable with Mode sinks



65MM STAINLESS STEEL BASKET STRAINER WASTE
CAP/BSW/SS

- Waste and plug
- For Belfast sinks with 65mm waste outlet



65MM STAINLESS STEEL WASTE
CAP/PW/SS3

- Waste and plug
- For Belfast sinks with 65mm waste outlet



90MM STAINLESS STEEL BASKET STRAINER WASTE
BSW/OF/SS3

- Supplied with overflow connection and blanking plug
- Basket strainer waste can be purchased without connection and blanking plug [BSW]



65MM SLOTTED WASTE
CAP/SL/CH

- For Belfast sinks with 65mm waste outlet
- Supplied with chrome plug, chain and screwed stay
- For sinks up to 80mm thickness



OVERFLOW KIT

CPOF500 - Chrome
CPOF600 - Stainless steel

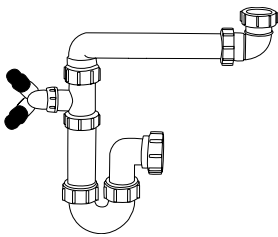
- CPOF500 with chrome basket strainer waste [BSW/CH4]
- CPOF600 with stainless steel basket strainer waste [BSW/OF/SS3 or BSW/BS2]



OVERFLOW KIT

CPOF7

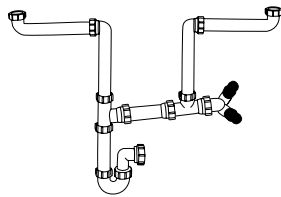
- Both round and rectangular backplate connections
- Round chrome plated grill only
- Flexible tube and bolt



1 BOWL PLUMBING KIT

CPK100

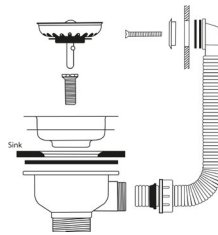
- Provision for washing machines and dishwashers
- Water seal P trap



2 BOWL PLUMBING KIT

CPK200

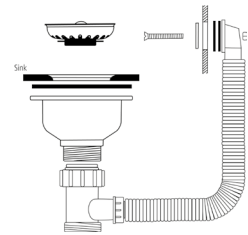
- Provision for washing machines and dishwashers
- Water seal P trap



SQUARE OVERFLOW WASTE KIT

CPK1501

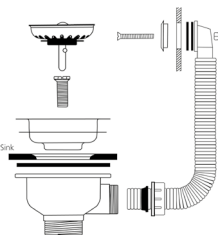
- Stainless steel
- 90mm basket strainer waste
- Square overflow



SQUARE OVERFLOW WASTE KIT

CPK1901 - Chrome
CPK2501 - Brushed steel

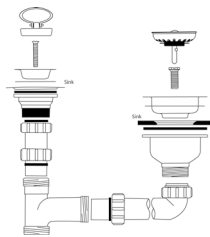
- 90mm basket strainer waste
- Square overflow



ROUND OVERFLOW WASTE KIT

CPK501

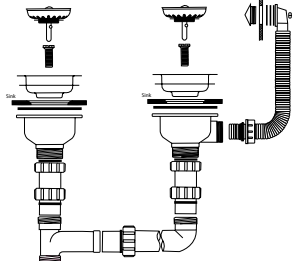
- Stainless steel
- 90mm basket strainer waste
- Round overflow



WASTE AND BOWL CONNECTION KIT

CPK400

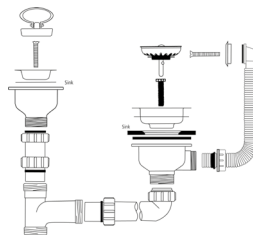
- Stainless steel
- 90mm basket strainer waste and 60mm waste and plug
- No overflow



WASTE AND BOWL CONNECTION KIT

CPK801

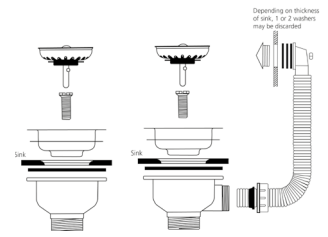
- Stainless steel
- 2 x 90mm basket strainer wastes
- Round overflow



WASTE AND BOWL CONNECTION KIT

CPK1101

- Stainless steel
- 90mm basket strainer waste and 60mm waste and plug
- Round overflow



WASTE AND BOWL CONNECTION KIT

CPK2701

- Stainless steel
- 90mm basket strainer waste
- Round overflow



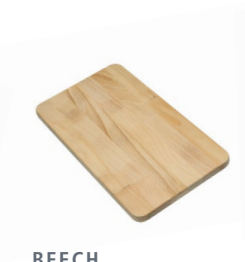
**UNIVERSAL
WOODEN
CHOPPING BOARD**
CBB3040

- Beech
- 400 x 300mm



**GLASS
CHOPPING BOARD**
CGCB2

- Toughened glass
- 325 x 440mm



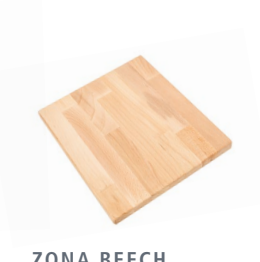
**BEECH
CHOPPING BOARD**
AXLCB

- Beech
- 217 x 397mm



**ROWECA
ANTHRACITE
CHOPPING BOARD**
VACB

- Roweca Anthracite
- 250 x 440mm
- Dishwasher friendly



**ZONA BEECH
CHOPPING BOARD**
CCB3

- Beech
- 262 x 300mm



**CRAMER CERAMIC
REPAIR KIT**
REPAIRKIT



**CRAMER
TAP CLEANER**
TAPCLEAN



**CRAMER CERAMIC
TOUCH-UP STICK**
TOUCHUP



**EMAIL-STAR
POLISH**
SINKCLEAN

- Stainless steel or ceramic sink polish



GRANCLEAN2
GRANCLEAN

- Granite sink cleaner



**CERAMIC
SINK RUBBER**
RUBBER



SOAP DISPENSER
CSD/CH

- Push down operation
- Chrome dispenser
- Height above work surface 55mm
- 350ml capacity
- Reach 100mm, bottle height 200mm
- Work surface cut-out of 28mm is required



SOAP DISPENSER
CSD2/SS

- Push down operation
- Stainless steel dispenser
- Height above work surface 63mm
- 360ml capacity
- Reach 105mm, bottle height 155mm
- Work surface cut-out of 25mm is required



5 YEAR GUARANTEE

All Caple taps come with a 5 year guarantee.

Subject to T & C's.





Taps

3 IN 1	098
PURITI	104
PULL OUT + SPRAY	110
SINGLE CONTROL	117
DUAL CONTROL	130



What's Your Type?



3IN1 STEAMING WATER TAP

Whether you want to make a hot beverage, blanch vegetables or reduce boiling time for pasta, our 3in1 taps have an instant supply of 98°C steaming water. As well as a supply of fresh cold water and regular hot water. And, the incredibly advanced filtration system means it provides the best water quality possible.



PURITI

With a Caple Puriti filter tap you can have ordinary hot and cold water, as well as purified water from one single fitting. The activated carbon filter removes chlorine, rust and sediment so you can feel better about the water you consume. You might also find it improves the taste! Each filter lasts approximately six months and you can order replacement filters at caple.co.uk with next day delivery.



PULL-OUT SPRAY

The only tap for professionals, our stylish range is brilliantly designed, with some models providing a minimum pressure rate of 0.3 bar.



DUAL CONTROL

Added control and ease of use, with a dedicated lever controlling both hot and cold water.



SINGLE CONTROL

Simplicity itself, with everything controlled by a single lever - move it left and right for temperature, or up and down for pressure.



The Inside Story.

Taps aren't as simple as they look. How they work can be quite technical. Before you make your choice here are some things to consider.

WRAS APPROVED

The Water Regulations Advisory Scheme [WRAS] is the UK Water Industry's approval scheme.

Our range of WRAS approved taps have been fully tested and are fully compliant with the requirements of the water regulations and byelaws. WRAS Approval is considered the best way to demonstrate compliance as it is granted directly by representatives of the water suppliers and is therefore accepted by every water supplier in the UK.

WATER PRESSURE

Some taps need more pressure than others to flow at the same rate. A pressurised water heater system will provide enough water pressure for any of our taps. However, an unpressurised system may not. You will need to calculate the pressure before choosing a tap that has a minimum requirement - otherwise it might not work properly. To do this, measure how far the water tank is above the tap in metres and divide by 10. This gives the water pressure in bars. Remember that any bends or junctions in the pipework will reduce the pressure.

If you are not sure how to calculate your hot water pressure, ask your plumber. Water pressure can be increased by adding a separate water pump.

VALVE TYPES

You can choose from many different valve options to control how your tap works. In a single lever model, the lever is moved in two directions to control the tap. Other types of tap use either basic compression valves or the superior quarter turn valves that respond quicker.

WATER EFFICIENT CSH COMPLIANT TAPS

We have developed a collection of taps specifically designed to conform to Water efficiency requirements. These taps have a flow rate of 4 litres per minute or less when measured at 3 bar of pressure. Look out for the water efficiency logo.

3in1 Steaming Water Taps.

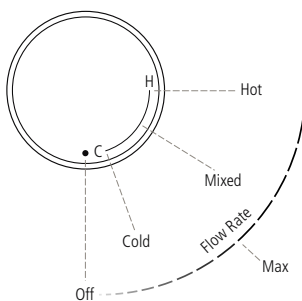
3in1 taps supply fresh cold water, regular hot water and filtered 98°C steaming water, the perfect temperature for preparing tea, blanching vegetables and assisting the cooking of pasta or rice.

Water conditioning technology provides exceptional accuracy for scale and acidity control for increased boiler protection, this means outstanding food and beverage quality.

Quick and simple installation allows the tap, filter and boiler to be easily retrofitted. Available in a variety of finishes, Caple 3in1 taps exude style and practicality.

PROGRESSIVE VALVE

Control your Joya 3in1 tap with a simple rotating motion. The water flow starts cold and gradually gets warmer. The more you turn the control, the hotter the temperature whilst the water pressure gradually increases.



OUTSTANDING WATER FILTRATION

Offering a new standard of water filtration technology, providing extraordinary accuracy for scale and PH control. This water filtration and conditioning technology effectively combines hardness reduction, mineral stabilization and corrosion inhibition by maintaining a controlled low carbonic acid level in the water.

It delivers the best available water quality for hot drinks by removing lime scale build up in the boiler [provided filters are installed and maintained/exchanged in line with manufacturer recommendations].

It includes DuoBlend® valve technology for the most accurate bypass ratio and a 5µm Carbon block membrane for particle protection, reducing tastes and odours such as chlorine and chlorine by-products, THM's, PAH's and pesticides such as Simazine, Atrazine, Lindane and Dieldrin. Each filter lasts approximately six months and is easily changed without tools.

Order your replacement filter cartridge [PURIT13] or full fitting kit including the cartridge [PURIT14] at caple.co.uk for next day delivery.



LARGE BOILER

A new large boiler capacity means 3.5 litres of steaming water is ready for use whenever you need it. With a temperature range of 25°C - 98°C it uses less electricity than a 40W light bulb.

All caple accessories are available to buy online at caple.co.uk

So, Here's The Technical Bit...

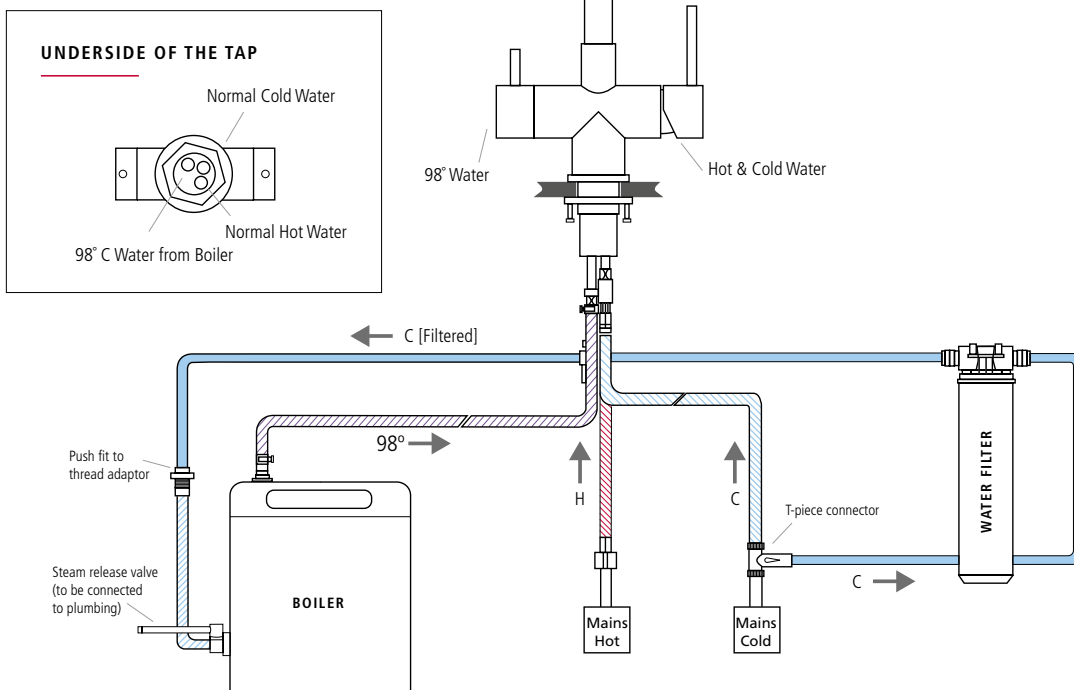
The cold water from your water supply passes through the filter into the 3.5L boiler. The water temperature can be easily adjusted from 25°C - 98°C to suit your requirements by simply turning the dial located at the front of the boiler.

For steaming water use the smaller lever on the left hand side of the tap. Push down the lever to release the child safety mechanism then turn and hold to start a steady flow of steaming water, when you are finished the unique spring loaded lever automatically shuts off the steaming water.

It couldn't be easier to change the filter. There is no need to cut off the water supply, just twist the used filter to release it - this automatically isolates the water supply making it easy to twist the new cartridge into place.

All Caple accessories, including replacement filters and fixing kits, are available to buy at caple.co.uk for next day delivery.

Diagram below shows Vapos 3in1 steaming hot water tap.





JOYA 3IN1

Stainless
STEEL



JOY3IN1/SS - Stainless Steel

JOY3IN1/GM - Gunmetal

JOY3IN1/BS - Black Steel

JOY3IN1/CO - Copper

JOY3IN1/GD - Gold

GENERAL FEATURES

- Solid stainless steel with metallic PVD coating
- Supplies fresh cold water, regular hot water and filtered 98°C steaming water
- Includes touch control pressurised boiler
- Water conditioning technology providing exceptional accuracy for scale and acidity control for increased boiler protection, plus increased food and beverage quality.
- 3.5Ltr tank, up to 120 cups per hour
- Temperature range of boiler 25°C - 98°C

TAP FEATURES

- Minimum 0.5 bar pressure required
- Safety mechanism for steaming water control
- Progressive valve hot/cold control [see pg 98]
- Cool touch spout
- Separate flow for steaming water

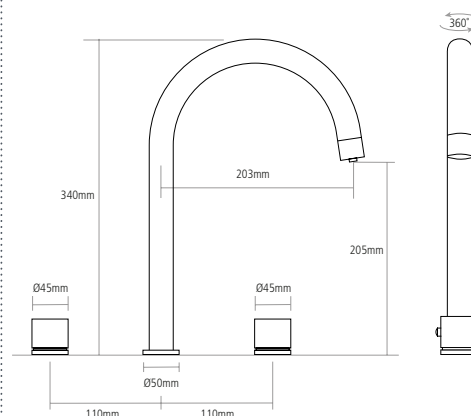
OPTIONAL EXTRAS

- PURIT13 Replacement filter
- FILTERMETER Digital water capacity meter

Available to buy online cagle.co.uk

DIMENSIONS

- 3 x 35mm worktop cut out required





VAPOS 3IN1



Stainless
STEEL



VAP2/3IN1/SS - Stainless Steel VAP2/3IN1/GM - Gunmetal VAP2/3IN1/BS - Black Steel VAP2/3IN1/CO - Copper VAP2/3IN1/GD - Gold

GENERAL FEATURES

- Solid stainless steel with metallic PVD coating
- Supplies fresh cold water, regular hot water and filtered 98°C steaming water
- WRAS approved
- Includes touch control pressurised boiler
- Water conditioning technology providing exceptional accuracy for scale and acidity control for increased boiler protection, plus increased food and beverage quality
- 3.5Ltr tank, up to 120 cups per hour
- Temperature range of boiler 25 - 98°C

TAP FEATURES

- Minimum 0.5 bar pressure required
- Safety mechanism for steaming water control
- Cool touch spout
- Separate flow for steaming water

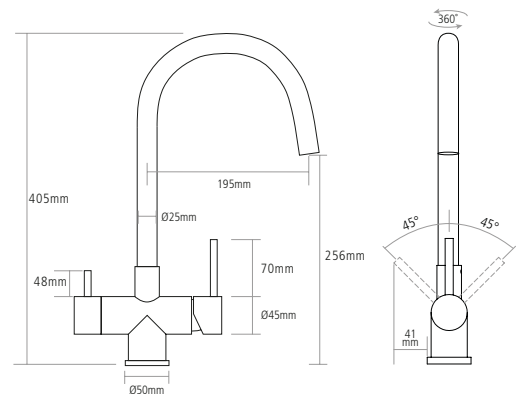
OPTIONAL EXTRAS

- PURIT3 Replacement filter
- FILTERMETER Digital water capacity meter

Available to buy online caple.co.uk

DIMENSIONS

- Worktop cut out 35mm required





VAPOS QUAD 3IN1



VAPQ2/3IN1/SS - Solid Stainless Steel

GENERAL FEATURES

- Supplies fresh cold water, regular hot water and filtered 98°C steaming water
- WRAS approved
- Includes touch control pressurised boiler
- Water conditioning technology providing exceptional accuracy for scale and acidity control for increased boiler protection, plus increased food and beverage quality
- 3.5Ltr tank, up to 120 cups per hour
- Temperature range of boiler 25 - 98°C

TAP FEATURES

- Minimum 0.5 bar pressure required
- Safety mechanism for steaming water control
- Cool touch spout
- Separate flow for steaming water

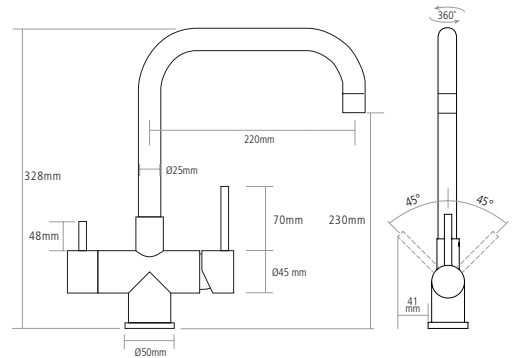
OPTIONAL EXTRAS

- PURIT3 Replacement filter
- FILTERMETER Digital water capacity meter

Available to buy online caple.co.uk

DIMENSIONS

- Worktop cut out 35mm required





Puriti Taps.

FANCY PURIFIED, FILTERED COLD WATER ON TAP?

Choose a Caple Puriti tap to deliver regular hot and cold water with the added benefit of fresh filtered water. It is either dispensed using a third lever or sometimes fully integrated into the standard design.

An ingenious filtration system is hidden from sight in the kitchen unit, and by turning the filtration tap, your normal cold water supply is diverted via the Caple filter to the tap and in to your glass. It is also great for areas with particularly hard water. By using the filtered water in kettles and cooking you greatly reduce the damaging impact of lime-scale build up in appliances and reduce the effect of water impurities during food preparation, whilst also improving tea and coffee.

HOW IT WORKS

As the filter tap is turned the normal cold water supply is redirected through a series of filtration processes including activated carbon. This removes almost all chlorine improving the taste, and other impurities such as particulates, bacteria, rust, heavy metals and pesticides, while also acting as a scale inhibitor. It also helps maintain the pH balance of the water, which is much healthier than consuming overly acidic or alkaline normal tap water.

WHY IT'S GOOD

Caple Puriti filter can last up to 4 x longer compared to other filtration systems on the market. Puriti filters up to 6000 litres compared to only 300 - 1500 litres.

The Caple Puriti filter is discreetly installed under the sink. It will be easily accessible for changing which will need to be done about every six months. This is a very straight-forward process that does not require any tools.

Replacement filters and fixing kits are available to buy online at caple.co.uk

The logo for Caple Puriti features the word "caple" in a red, lowercase, sans-serif font with a red circle containing a white dot to the left of the letter 'c'. Below it, the word "PURITI" is written in a larger, black, uppercase, sans-serif font with a small circle above the letter 'i'.



HARLO PURITI

Stainless
STEEL **caple**
PURITI®



HARPUR/SS - Stainless Steel

HARPUR/GM - Gunmetal

HARPUR/BS - Black Steel

HARPUR/CO - Copper

HARPUR/GD - Gold

GENERAL FEATURES

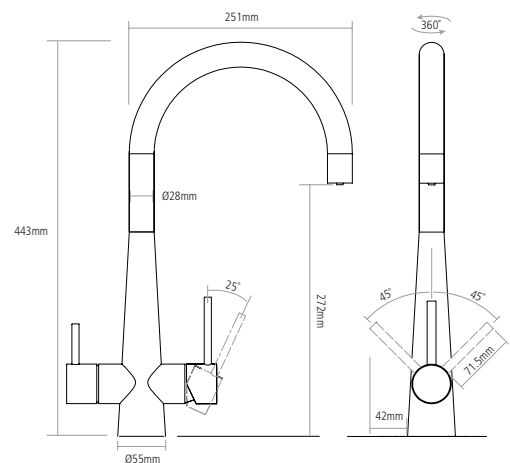
- Solid stainless steel with metallic PVD coating
- Monobloc design
- Minimum 0.5 bar pressure required
- Quarter turn ceramic valve lever for filtered water
- Single lever ceramic valve for hot and cold water
- Single flow for hot and cold water
- Water filter kit included
- Separate filtered supply [filter included]

OPTIONAL EXTRAS

- PURITI1 Replacement filter
 - FILTERMETER Digital filter water meter
- Available to buy online caple.co.uk

DIMENSIONS

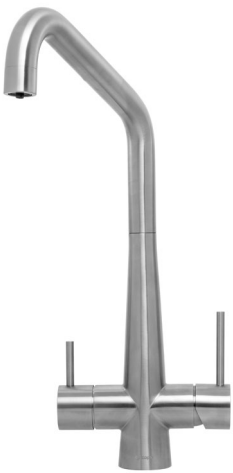
- Worktop cut out 35mm required





HARLO PURITI

Stainless STEEL **caple** PURITI



HARQPUR/SS - Solid Stainless Steel

GENERAL FEATURES

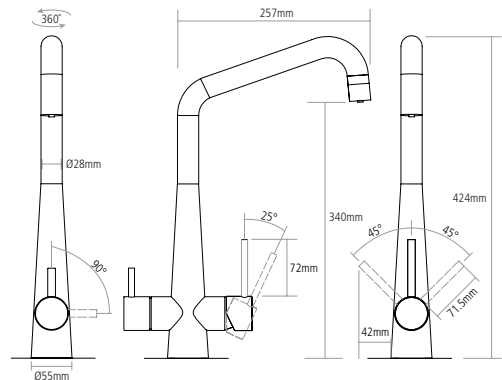
- Monobloc design
- Minimum 0.5 bar pressure required
- Quarter turn ceramic valve lever for filtered water
- Single lever ceramic valve for hot and cold water
- Single flow for hot and cold water
- Water filter kit included
- Separate filtered supply [filter included]

OPTIONAL EXTRAS

- PURITI1 Replacement filter
 - FILTERMETER Digital filter water meter
- Available to buy online caple.co.uk

DIMENSIONS

- Worktop cut out 35mm required



ARDOR PURITI

ARDPUR/CH - Polished Chrome


**GENERAL FEATURES**

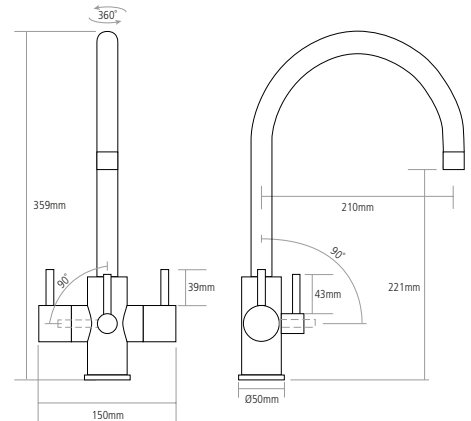
- Monobloc design
- Minimum 0.3 bar pressure required
- Quarter turn ceramic valve
- Single flow
- Separate filtered supply [filter included]

OPTIONAL EXTRAS

- PURITI1 Replacement filter
 - FILTERMETER Digital filter water meter
- Available to buy online caple.co.uk

DIMENSIONS

- Worktop cut out 35mm required

**ATMORE PURITI**

ATMPUR/CH - Polished Chrome


**GENERAL FEATURES**

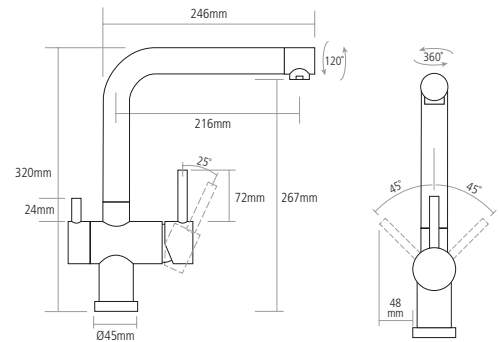
- Monobloc design
- Minimum 0.1 bar pressure required
- Single lever ceramic valve
- Single flow
- Separate filtered supply [filter included]

OPTIONAL EXTRAS

- PURITI1 Replacement filter
 - FILTERMETER Digital filter water meter
- Available to buy online caple.co.uk

DIMENSIONS

- Worktop cut out 35mm required

**DALTON PURITI**

DALPUR2/SS - Solid Stainless Steel


**GENERAL FEATURES**

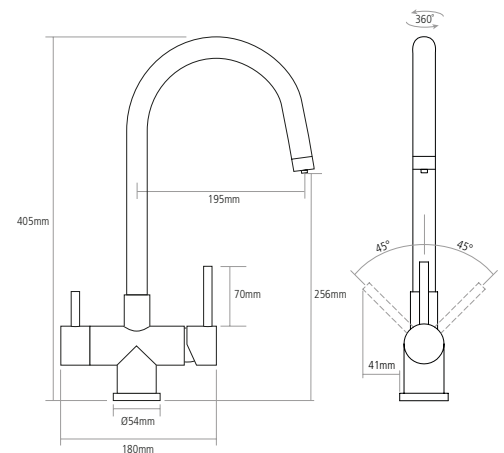
- Monobloc design
- Minimum 0.5 bar pressure required
- Quarter turn lever for filtered water
- Single lever ceramic valve for hot and cold water
- Single flow for hot and cold water
- Separate filtered supply [filter included]

OPTIONAL EXTRAS

- PURITI1 Replacement filter
 - FILTERMETER Digital filter water meter
- Available to buy online caple.co.uk

DIMENSIONS

- Worktop cut out 35mm required



LAYTON PURITI

LAYPUR2/SS - Solid Stainless Steel

Stainless
STEEL **caple**
PURITI



GENERAL FEATURES

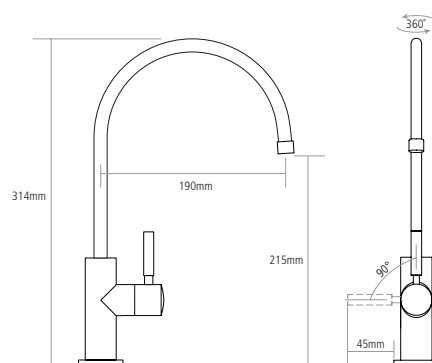
- Single lever design
- Minimum 0.5 bar pressure required
- Quarter turn ceramic valve
- Single flow
- FILTERED SUPPLY ONLY [filter included]

OPTIONAL EXTRAS

- PURITI1 Replacement filter
 - FILTERMETER Digital filter water meter
- Available to buy online caple.co.uk

DIMENSIONS

- Worktop cut out 20mm required



NATICK PURITI

NATPUR/CH - Polished Chrome

caple
PURITI



GENERAL FEATURES

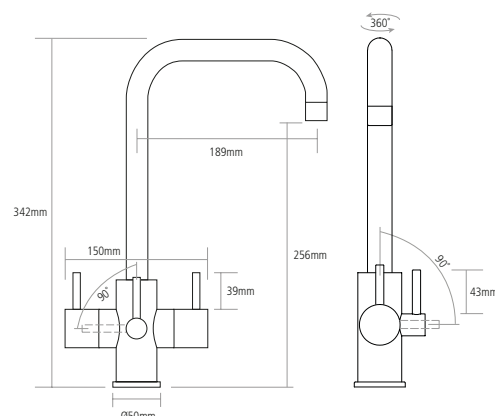
- Monobloc design
- Minimum 0.3 bar pressure required
- Quarter turn ceramic valve
- Single flow
- Separate filtered supply [filter included]

OPTIONAL EXTRAS

- PURITI1 Replacement filter
 - FILTERMETER Digital filter water meter
- Available to buy online caple.co.uk

DIMENSIONS

- Worktop cut out 35mm required



SALUS PURITI

SALPUR/CH - Polished Chrome

caple
PURITI



GENERAL FEATURES

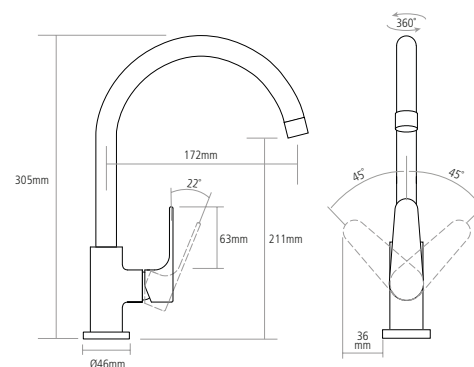
- Single lever design
- Minimum 0.3 bar pressure required
- Single lever ceramic valve
- Single flow
- FILTERED SUPPLY ONLY [filter included]

OPTIONAL EXTRAS

- PURITI1 Replacement filter
 - FILTERMETER Digital filter water meter
- Available to buy online caple.co.uk

DIMENSIONS

- Worktop cut out 22mm required



Pull-Out + Spray Taps.



With technology taken from professional kitchens, spray taps work on the same principle as a single lever tap design with the standard hot and cold functions. However on some models the nozzle pulls out on an extended, flexible metal hose. By pressing the button on the side of the spray head the nozzle produces a high pressured spray or jet of water.

The powerful spray makes it so much easier to wash and rinse items. Used in most professional kitchens worldwide, it's a must-have for accomplished chefs.

The secret is in the nozzle. As well as a powerful spray, some models have a long flexible hose that can be pulled out allowing you to move the tap freely around the sink.



ASPEN PULL-OUT

ASPS2/CH - Polished Chrome

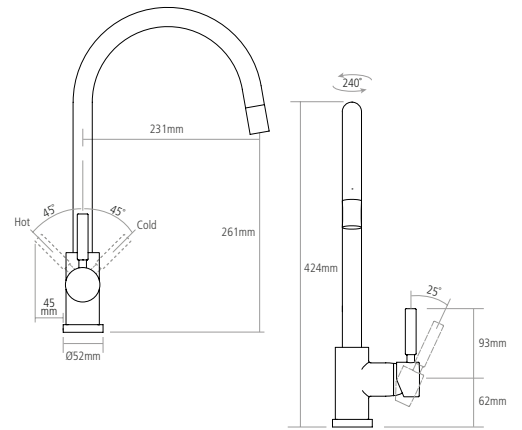


GENERAL FEATURES

- Pull-out design
- Minimum 0.5 bar pressure required
- Single lever ceramic valve
- Single flow
- Extendable hose

DIMENSIONS

- Worktop cut out 35mm required
- Pull-out hose extended by 650mm



ASPS3/SS - Solid Stainless Steel

Stainless
STEEL

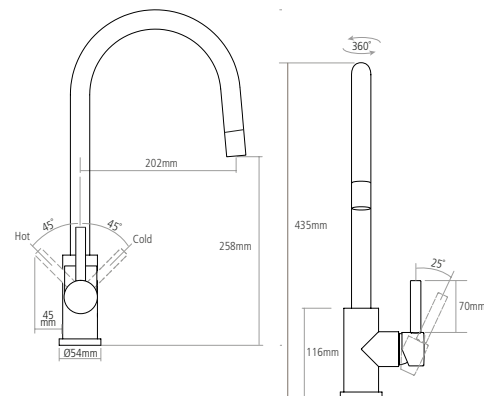


GENERAL FEATURES

- Pull-out design
- Minimum 0.5 bar pressure required
- Single lever ceramic valve
- Single flow
- Extendable hose

DIMENSIONS

- Worktop cut out 35mm required
- Pull-out hose extended by 500mm

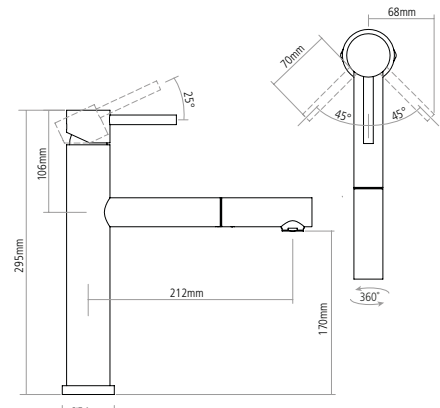


ATLANTA PULL-OUT**ATLP/SS** - Solid Stainless SteelStainless
STEEL**GENERAL FEATURES**

- Single lever design
- Seamless body with 360° pivot at the base
- Minimum 0.5 bar pressure required
- Single lever ceramic valve
- Single flow
- Grey braided extendable hose

DIMENSIONS

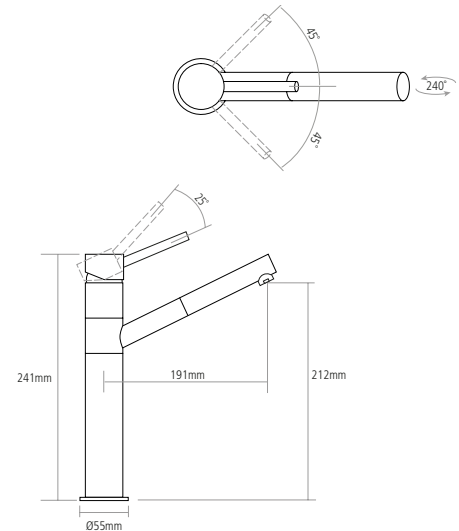
- Worktop cut out 35mm required
- Pull-out hose extended by 400mm

**BROOKLINE PULL-OUT****BRO/SP/CH** - Polished Chrome**GENERAL FEATURES**

- Single lever design
- Minimum 0.5 bar pressure required
- Single lever ceramic valve
- Single flow
- Extendable hose
- 180° swivel spout

DIMENSIONS

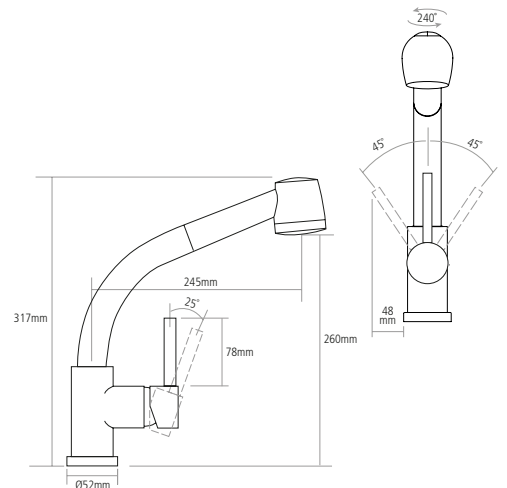
- Worktop cut out 35mm required
- Pull-out hose extended by 650mm

**FREEMONT
PULL-OUT SPRAY****FRE/CH** - Polished Chrome**GENERAL FEATURES**

- Single lever design
- Minimum 0.3 bar pressure required
- Single lever ceramic valve
- Single flow
- Push button spray head
- Extendable hose

DIMENSIONS

- Worktop cut out 35mm required
- Pull-out hose extended by 500mm



HOWE PROFESSIONAL PULL-OUT

HOW/SS - Solid Stainless Steel

Stainless STEEL

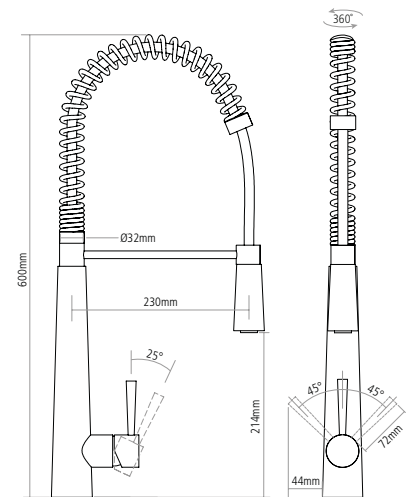


GENERAL FEATURES

- Single lever design
- Minimum 0.5 bar pressure required
- Single lever ceramic valve
- Single flow
- Extendable hose

DIMENSIONS

- Worktop cut out 35mm required
- Pull-out hose extended by 600mm



LANDIS PULL-OUT

LAN/SP/CH - Polished Chrome

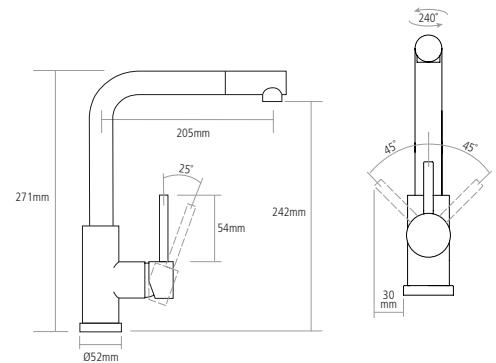


GENERAL FEATURES

- Single lever design
- Minimum 0.3 bar pressure required
- Single lever ceramic valve
- Single flow
- Extendable hose

DIMENSIONS

- Worktop cut out 35mm required
- Pull-out hose extended by 660mm



NOVATO SPRAY

NOV/SS - Solid Stainless Steel

Stainless STEEL

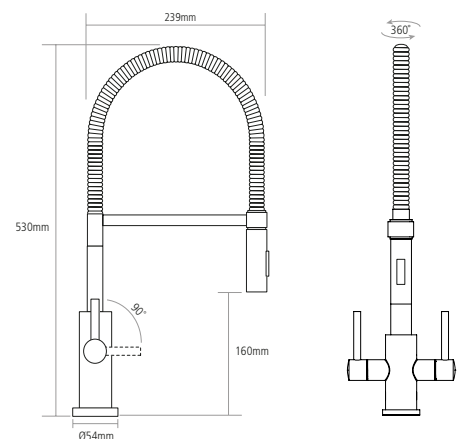


GENERAL FEATURES

- Push button spray head
- Monobloc design
- Minimum 0.5 bar pressure required
- Quarter turn ceramic valves
- Single flow

DIMENSIONS

- Worktop cut out 35mm required





NAVITIS SPRAY

NAV/CH - Polished Chrome

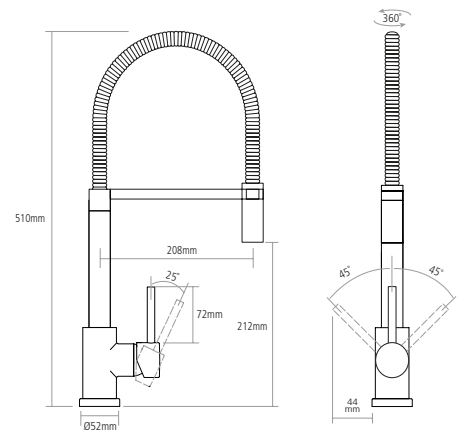


GENERAL FEATURES

- Single lever design
- Minimum 0.5 bar pressure required
- Single lever ceramic valve
- Single flow

DIMENSIONS

- Worktop cut out 35mm required



NAV/SS - Solid Stainless Steel

NAV/BK - Solid Stainless Steel + Black

Stainless
STEEL

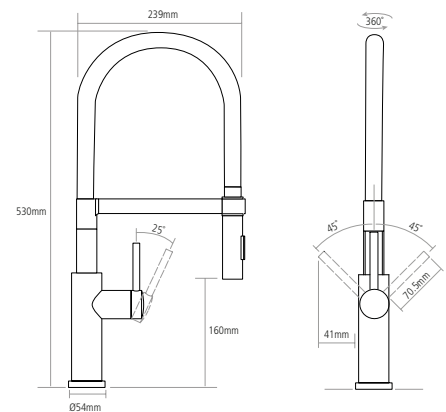


GENERAL FEATURES

- Single lever design
- Minimum 0.5 bar pressure required
- Single lever ceramic valve
- Single flow
- Flexible hose
- Push button spray head
- Black silicone hose [NAV/BK only]

DIMENSIONS

- Worktop cut out 35mm required



PRETO

PRE/BK - Matt Black

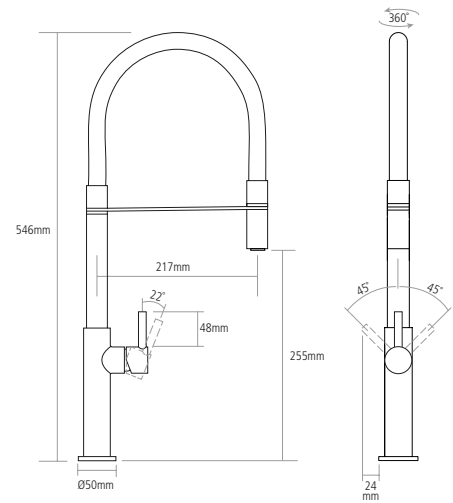


GENERAL FEATURES

- Single lever design
- Minimum 0.5 bar pressure required
- Single lever ceramic valve
- Flexible hose
- Single flow

DIMENSIONS

- Worktop cut out 35mm required



RAWLING SPRAY

RAW2/CH - Polished Chrome + Black

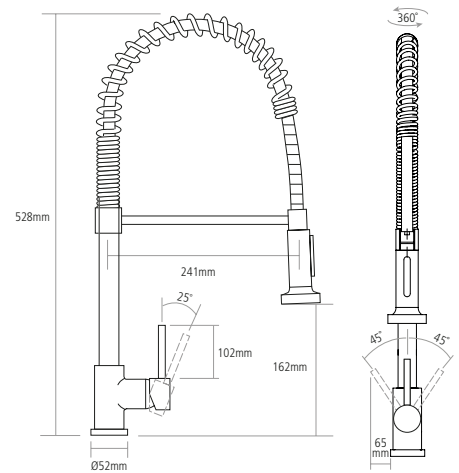


GENERAL FEATURES

- Single lever design
- Minimum 0.5 bar pressure required
- Single lever ceramic valve
- Single flow
- Push button spray head
- Black flexible hose

DIMENSIONS

- Worktop cut out 35mm required



TORRENT PROFESSIONAL PULL-OUT SPRAY

TOR2/CH - Polished Chrome

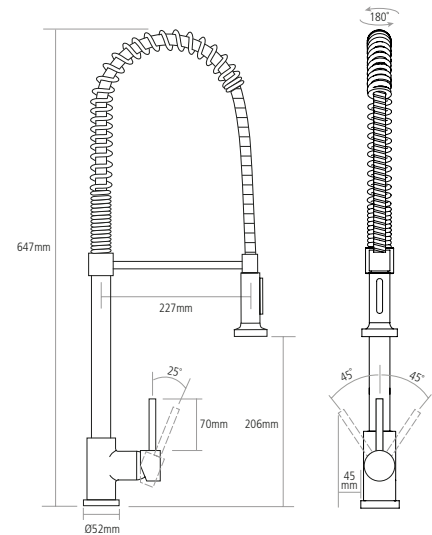


GENERAL FEATURES

- Single lever design
- Minimum 0.5 bar pressure required
- Single lever ceramic valve
- Single flow
- Push button spray head
- Extendable hose

DIMENSIONS

- Worktop cut out 35mm required
- Pull-out hose extended by 600mm





SPIRO PULL-OUT SPRAY

SPI2/CH - Polished Chrome

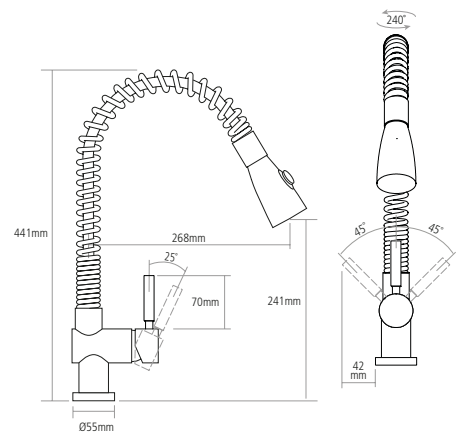


GENERAL FEATURES

- Single lever design
- Minimum 0.5 bar pressure required
- Single lever ceramic valve
- Single flow
- Push button spray head
- Extendable hose

DIMENSIONS

- Worktop cut out 35mm required
- Pull-out hose extended by 410mm



SPI2/SS - Solid Stainless Steel

Stainless
STEEL

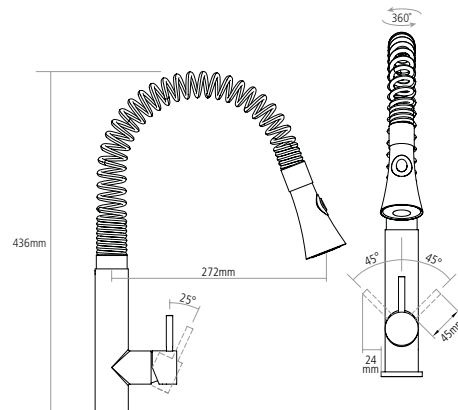


GENERAL FEATURES

- Single lever design
- Minimum 0.5 bar pressure required
- Single lever ceramic valve
- Single flow
- Push button spray head
- Grey extendable hose

DIMENSIONS

- Worktop cut out 35mm required
- Pull-out hose extended by 600mm



Single Control Taps.



ENDLESS CHOICE

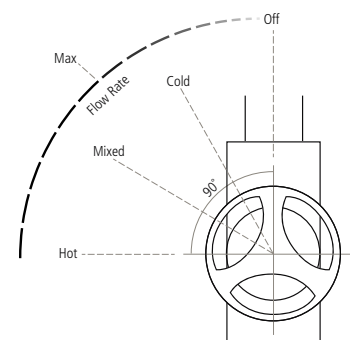
With Caple's single control taps you can be sure that the engineering that goes in to one of our taps is second to none. Smooth gliding operation, robust seals and a solid finish. So now all you have to do is decide which style and finish is best for you. With various finishes in so many designs from the classic to the contemporary, it maybe harder task than you think.

SINGLE LEVER SIMPLICITY

Everything controlled by a single lever – move it left and right for temperature, or up and down for pressure.

PROGRESSIVE VALVE

Control your tap with a simple rotating motion. The water flow starts cold and gradually gets warmer. The more you turn the control, the hotter the temperature whilst the water pressure gradually increases.





ASPEN

Stainless
STEEL



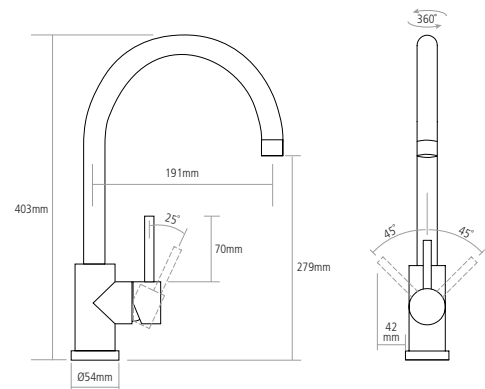
ASP2/SS - Solid Stainless Steel **ASP2/PG** - Pebble Grey **ASP2/AN** - Anthracite

GENERAL FEATURES

- Single lever design
- Anthracite & Pebble Grey matching granite sinks available [pg 38 - 45]
- Minimum 0.3 bar pressure required
- Single lever ceramic valve
- Single flow

DIMENSIONS

- Worktop cut out 35mm required



ASPEN

ASP2/CH - Polished Chrome

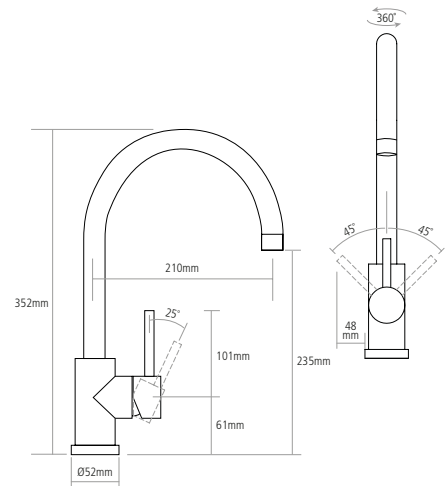


GENERAL FEATURES

- Single lever design
- Minimum 0.3 bar pressure required
- Single lever ceramic valve
- Single flow

DIMENSIONS

- Worktop cut out 35mm required



ASPEN

ASPQ2/CH - Polished Chrome

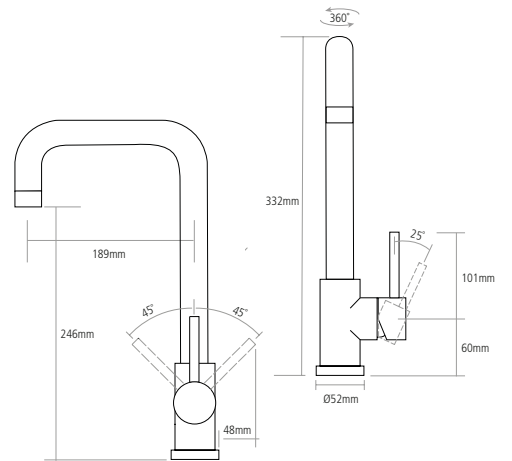


GENERAL FEATURES

- Single lever design
- Minimum 0.5 bar pressure required
- Single lever ceramic valve
- Single flow

DIMENSIONS

- Worktop cut out 35mm required



ASPEN

ASPQ2/SS - Solid Stainless Steel

Stainless STEEL

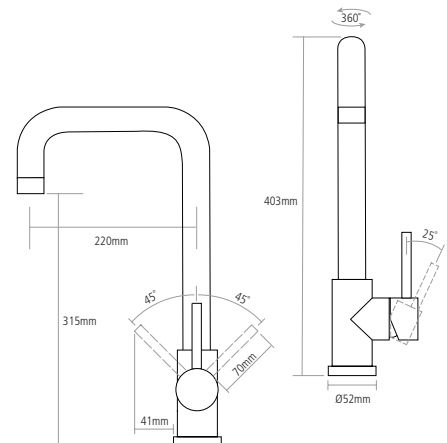


GENERAL FEATURES

- Single lever design
- Minimum 0.5 bar pressure required
- Single lever ceramic valve
- Single flow

DIMENSIONS

- Worktop cut out 35mm required





ATLANTA

ATL2/CH - Polished Chrome

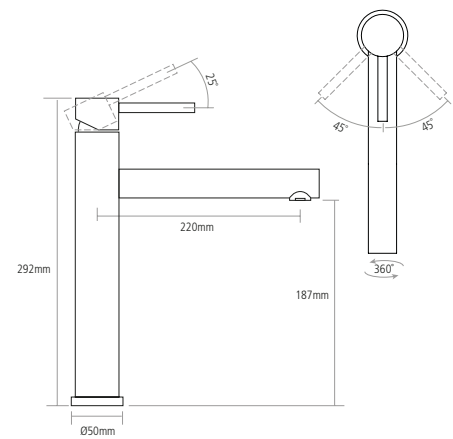


GENERAL FEATURES

- Single lever design
- Minimum 0.5 bar pressure required
- Single lever ceramic valve
- Single flow

DIMENSIONS

- Worktop cut out 35mm required



ATL/SS - Solid Stainless Steel

Stainless
STEEL

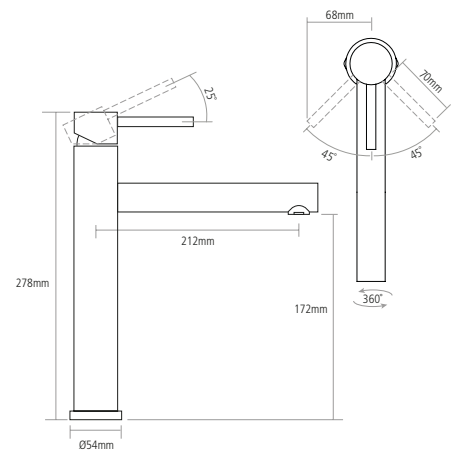


GENERAL FEATURES

- Single lever design
- Seamless body with 360° pivot at the base
- Minimum 0.5 bar pressure required
- Single lever ceramic valve
- Single flow

DIMENSIONS

- Worktop cut out 35mm required



BROOKLINE

BRO/CH - Polished Chrome

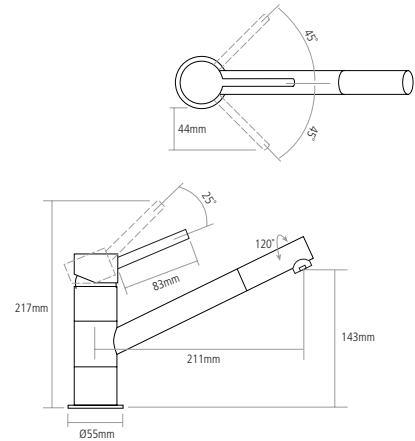


GENERAL FEATURES

- Single lever design
- Minimum 0.3 bar pressure required
- Single lever ceramic valve
- Adjustable nozzle
- Single flow

DIMENSIONS

- Worktop cut out 35mm required



COGNITUS

COG/BC - Blackened Copper

Stainless STEEL

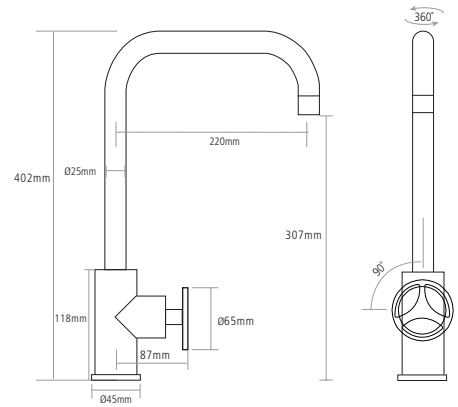


GENERAL FEATURES

- Solid stainless steel with blackened copper finish
- Monobloc design
- Progressive valve [see pg 117]
- Minimum 0.5 bar pressure required
- Single flow

DIMENSIONS

- Worktop cut out 35mm required



DELTA

DEL/CH - Polished Chrome

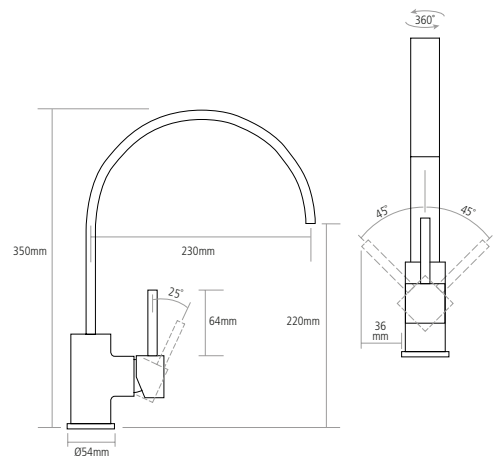


GENERAL FEATURES

- Single lever design
- Minimum 0.5 bar pressure required
- Single lever ceramic valve
- Single flow

DIMENSIONS

- Worktop cut out 35mm required





FRAMPTON

Stainless
STEEL



FRA/SS - Solid Stainless Steel

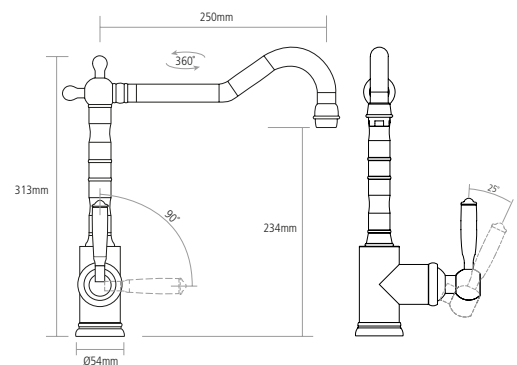
FRA/AB - Antique Brass

GENERAL FEATURES

- Solid stainless steel with metallic PVD coating
- Single lever design
- Minimum 0.5 bar pressure required
- Single lever ceramic valve
- Single flow

DIMENSIONS

- Worktop cut out 35mm required





FLUTIER



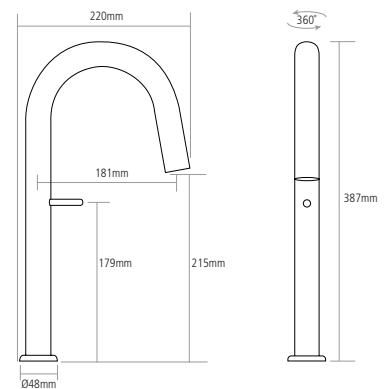
FLT/CH - Polished Chrome **FLT/BK** - Black with Copper Lever + Base

GENERAL FEATURES

- Monobloc design
- Progressive valve
- Minimum 0.5 bar pressure required
- Single flow

DIMENSIONS

- Worktop cut out 35mm required





KARNs

Stainless
STEEL



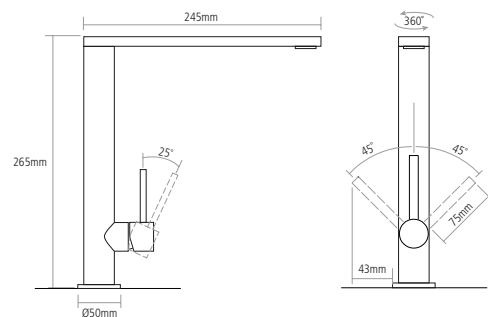
KAR/SS - Stainless Steel **KAR/GM** - Gunmetal **KAR/BS** - Black Steel **KAR/BK** - Chromite Black **KAR/CO** - Copper **KAR/GD** - Gold

GENERAL FEATURES

- Solid stainless steel with metallic PVD coating
- Single lever design
- Minimum 0.5 bar pressure required
- Single lever ceramic valve
- Single flow

DIMENSIONS

- Worktop cut out 35mm required



DANVERS

DAN/CH - Polished Chrome

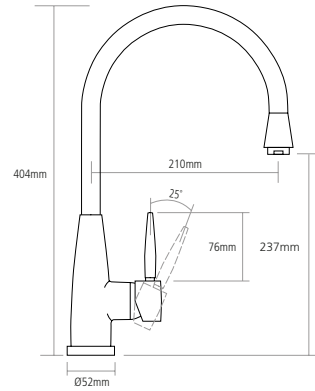


GENERAL FEATURES

- Single lever design
- Minimum 0.1 bar pressure required
- Single lever ceramic valve
- Single flow

DIMENSIONS

- Worktop cut out 35mm required



DUMAS

DUM/CH - Polished Chrome

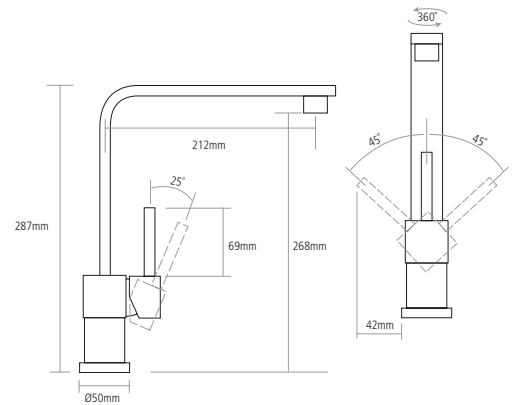


GENERAL FEATURES

- Single lever design
- Minimum 0.3 bar pressure required
- Single lever ceramic valve
- Single flow

DIMENSIONS

- Worktop cut out 35mm required



FRESNO

FRS/CH - Polished Chrome

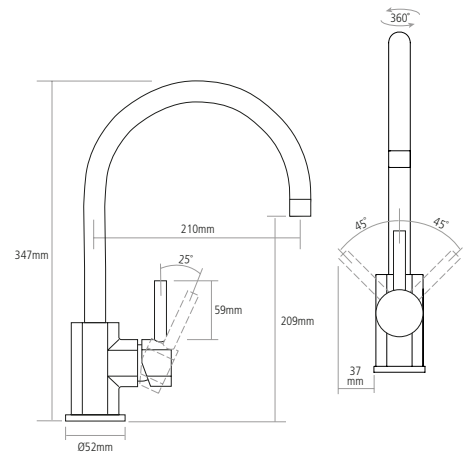


GENERAL FEATURES

- Single lever design
- Minimum 0.3 bar pressure required
- Single lever ceramic valve
- Single flow

DIMENSIONS

- Worktop cut out 35mm required





RIDLEY

Stainless
STEEL



RID/SS - Stainless Steel

RID/GM - Gunmetal

RID/BS - Black Steel

RID/CO - Copper

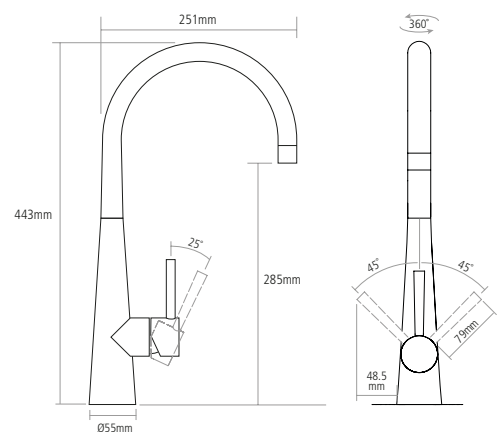
RID/GD - Gold

GENERAL FEATURES

- Solid stainless steel with metallic PVD coating
- Single lever design
- Minimum 0.5 bar pressure required
- Single lever ceramic valve
- Single flow

DIMENSIONS

- Worktop cut out 35mm required





TAYO

TAY/SS - Stainless Steel

Stainless
STEEL

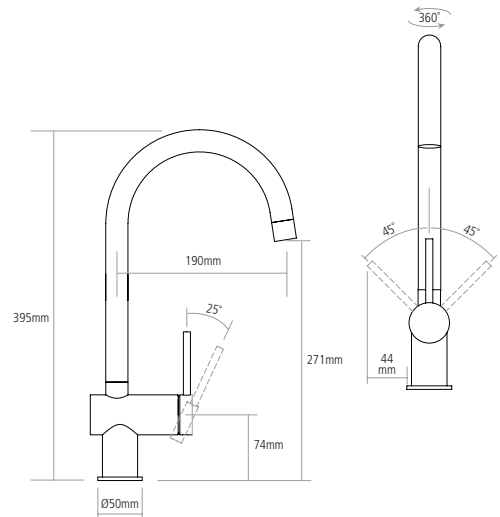


GENERAL FEATURES

- Single lever design
- Minimum 0.5 bar pressure required
- Single lever ceramic valve
- Single flow

DIMENSIONS

- Worktop cut out 35mm required



TAYO QUAD

TAYQ/SS - Stainless Steel

Stainless
STEEL

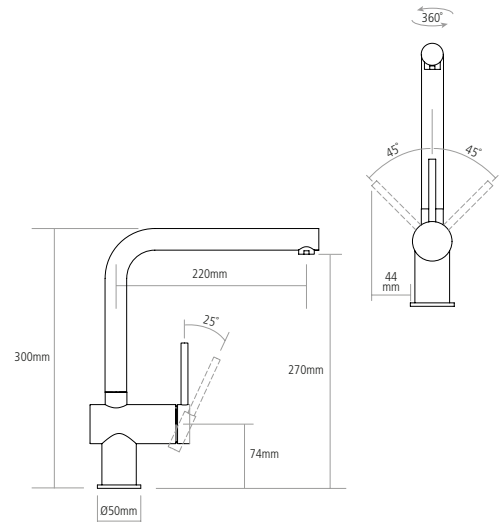


GENERAL FEATURES

- Single lever design
- Minimum 0.5 bar pressure required
- Single lever ceramic valve
- Single flow

DIMENSIONS

- Worktop cut out 35mm required

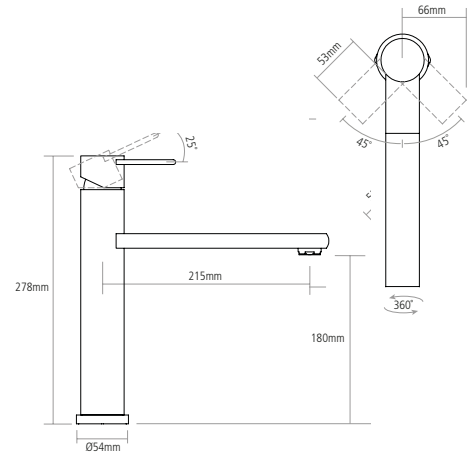


HAYDEN**HAY/SS** - Solid Stainless SteelStainless
STEEL**GENERAL FEATURES**

- Single lever design
- Seamless body with 360° pivot at the base
- Minimum 0.5 bar pressure required
- Single lever ceramic valve
- Single flow

DIMENSIONS

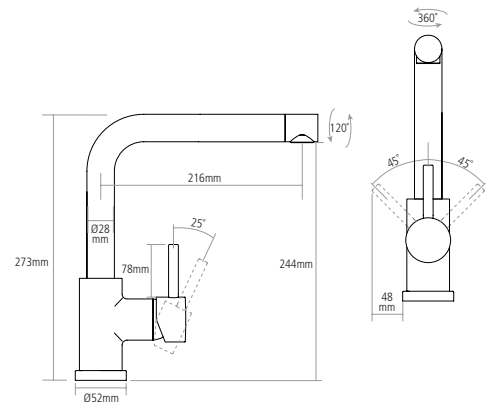
- Worktop cut out 35mm required

**LANDIS****LAN/CH** - Polished Chrome**GENERAL FEATURES**

- Single lever design
- Minimum 0.3 bar pressure required
- Adjustable nozzle
- Single lever ceramic valve
- Single flow

DIMENSIONS

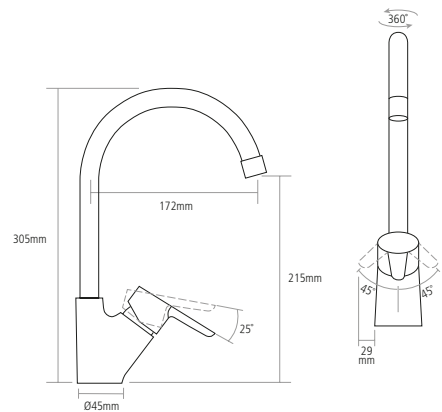
- Worktop cut out 35mm required

**SWANSON****SWA/CH** - Polished Chrome**GENERAL FEATURES**

- Single lever design
- Minimum 0.3 bar pressure required
- Single lever ceramic valve
- Single flow

DIMENSIONS

- Worktop cut out 35mm required





SINGLE LEVER

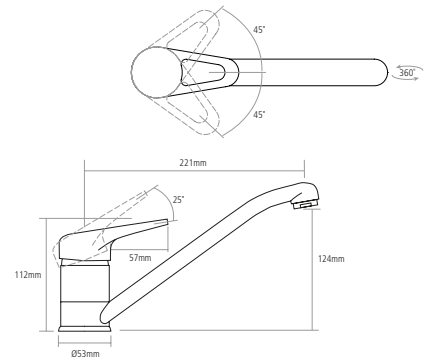
SLD2/CH - Polished Chrome



GENERAL FEATURES

- Single lever design
- Minimum 0.3 bar pressure required
- Single lever ceramic valve
- Single flow
- WRAS approved

The SLD2/CH has been designed to conform to water efficiency requirements, it has a flow rate of less than 4 litres per minute at 3 bar.



DIMENSIONS

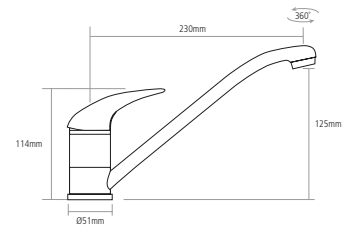
- Worktop cut out 35mm required

SL6/CH - Polished Chrome



GENERAL FEATURES

- Single lever design
- Minimum 0.3 bar pressure required
- Single lever ceramic valve
- Single flow
- WRAS approved



DIMENSIONS

- Worktop cut out 35mm required



Dual Control.

CLASSIC, COOL AND CONTEMPORARY

Classic does not mean old fashioned. For many of us dual control taps are a matter of personal preference. Hot on the left, cold on the right. It's as simple as that.

But even with the classic dual control, designs vary. There is the monobloc design or bridge design. Choose ceramic handles to match your ceramic sink. Sleek solid stainless steel – a premium material and very contemporary. Chrome - bright and reflective. Brushed nickel – subtle and blemish free. Pewter. Distinctive with a traditional twist. All meticulously designed and beautifully engineered.

Whichever you choose you can be sure that they all have one thing in common Caple's uncompromising quality.



JOYA

Stainless
STEEL



JOY/SS - Stainless Steel

JOY/GM - Gunmetal

JOY/BS - Black Steel

JOY/CO - Copper

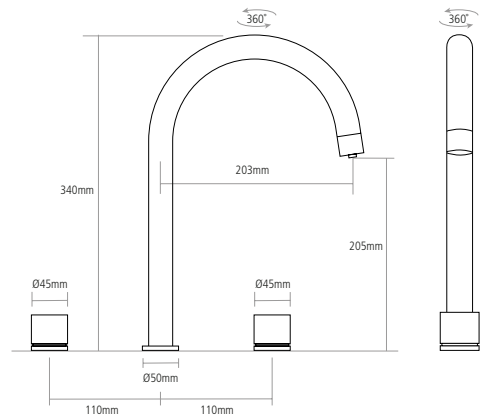
JOY/GD - Gold

GENERAL FEATURES

- Solid stainless steel with metallic PVD coating
- 3 Tap hole installation
- Quarter turn ceramic valves
- Single flow
- Minimum 0.5 bar pressure required

DIMENSIONS

- 3 x 35mm worktop cut out required





AVEL

Stainless
STEEL



AVE2/SS - Stainless Steel

AVE2/GM - Gunmetal

AVE2/BS - Black Steel

AVE2/CO - Copper

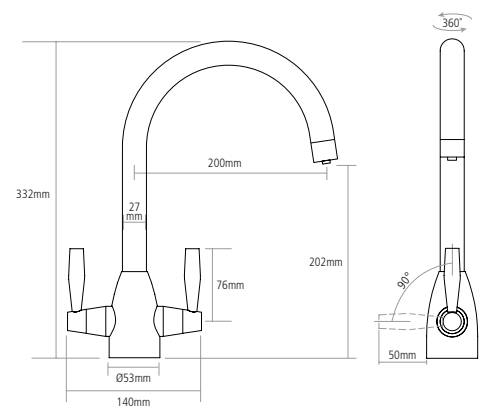
AVE2/GD - Gold

GENERAL FEATURES

- Solid stainless steel with metallic PVD coating
- Monobloc design
- Minimum 0.5 bar pressure required
- Quarter turn ceramic valve
- Dual flow

DIMENSIONS

- Worktop cut out 35mm required





AVEL



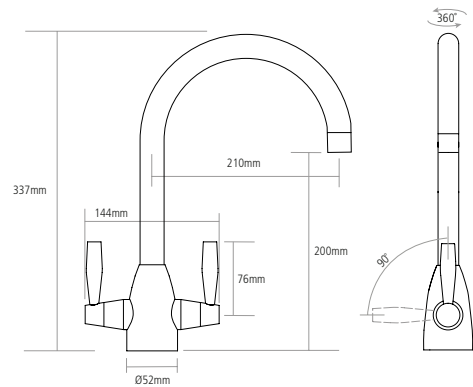
AVE4/CH - Chrome AVE4/BN - Brushed Nickel AVE2/BK - Chromite Black AVE4/BC - Blackened Copper

GENERAL FEATURES

- Monobloc design
- Minimum 0.3 bar pressure required
- Quarter turn ceramic valve
- Single flow
- WRAS approved

DIMENSIONS

- Worktop cut out 35mm required





ANTIQUE



ANT4/CH - Polished Chrome

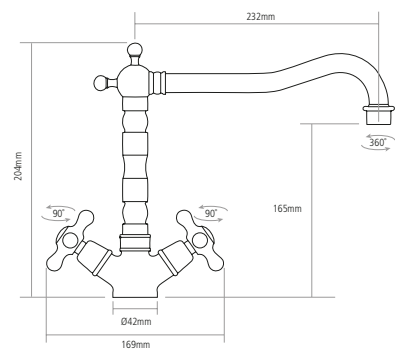
ANT4/BN - Brushed Nickel

GENERAL FEATURES

- Monobloc design
- Minimum 0.3 bar pressure required
- Quarter turn ceramic valve
- Single flow

DIMENSIONS

- Worktop cut out 35mm required





CRUCIFORM

CRU/CH - Polished Chrome

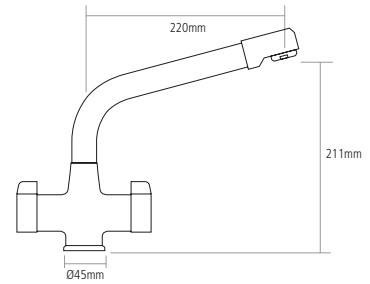


GENERAL FEATURES

- Monobloc design
- Minimum 0.3 bar pressure required
- Quarter turn ceramic valves
- Dual flow

DIMENSIONS

- Worktop cut out 35mm required



COLTON

COL/CH - Polished Chrome

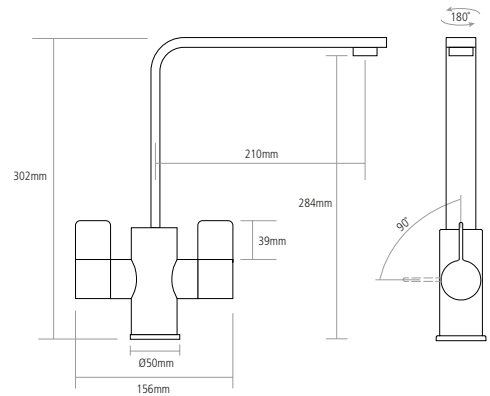


GENERAL FEATURES

- Monobloc design
- Minimum 0.3 bar pressure required
- Quarter turn ceramic valves
- Single flow
- 180° swivel spout

DIMENSIONS

- Worktop cut out 35mm required





HADLEY



HAD/CH - Polished Chrome

HAD/BN - Brushed Nickel

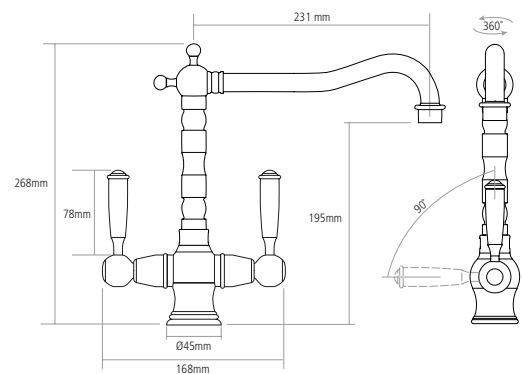
HAD/AB - Antique Brass

GENERAL FEATURES

- Monobloc design
- Minimum 0.5 bar pressure required
- Quarter turn ceramic valve
- Single flow

DIMENSIONS

- Worktop cut out 35mm required





KNIGHTSBRIDGE

K/BRI4/CH - Polished Chrome



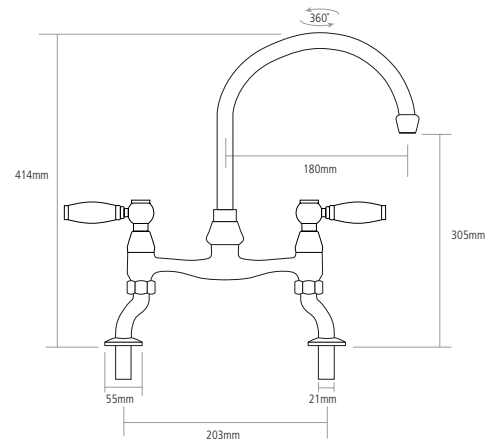
GENERAL FEATURES

- Bridge design
- Minimum 0.2 bar pressure required
- Quarter turn ceramic valves
- Dual flow

NOTE: Image shows tap levers in 'on' position

DIMENSIONS

- Worktop cut out 25mm required



KONTRO

KON3/CH - Polished Chrome

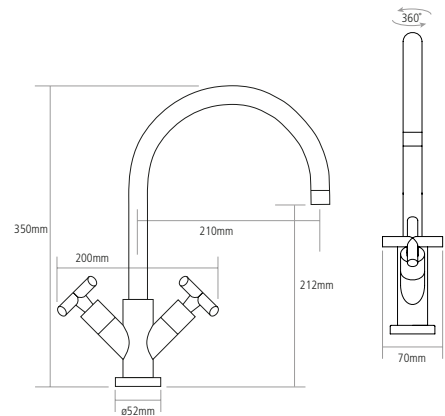


GENERAL FEATURES

- Monobloc design
- Minimum 0.3 bar pressure required
- Quarter turn ceramic valve
- Single flow

DIMENSIONS

- Worktop cut out 35mm required





LEVAL



LEV3/CH - Polished Chrome

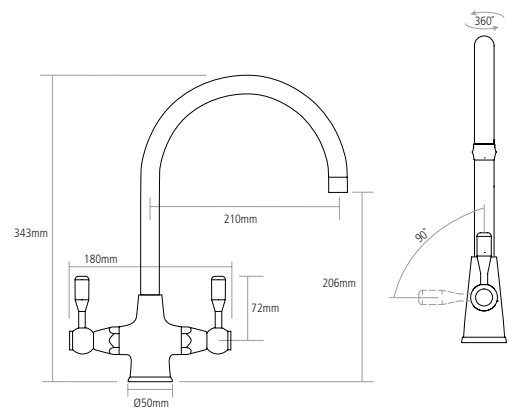
LEV3/BN - Brushed Nickel

GENERAL FEATURES

- Monobloc design
- Minimum 0.3 bar pressure required
- Quarter turn ceramic valves
- Single flow

DIMENSIONS

- Worktop cut out 35mm required





LAMAR

LAM/BC - Blackened Copper

LAM/CH - Polished Chrome

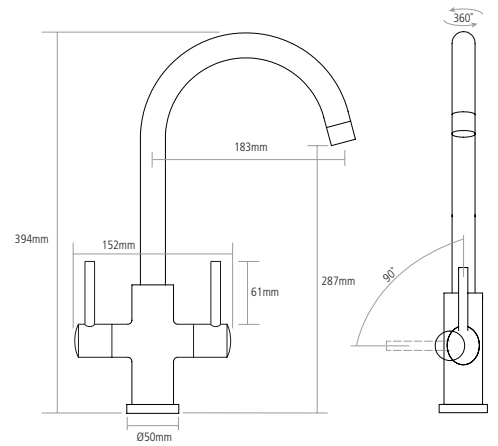


GENERAL FEATURES

- Monobloc design
- Minimum 0.3 bar pressure required
- Quarter turn ceramic valves
- Single flow
- WRAS approved

DIMENSIONS

- Worktop cut out 35mm required



LAM3/SS - Solid Stainless Steel

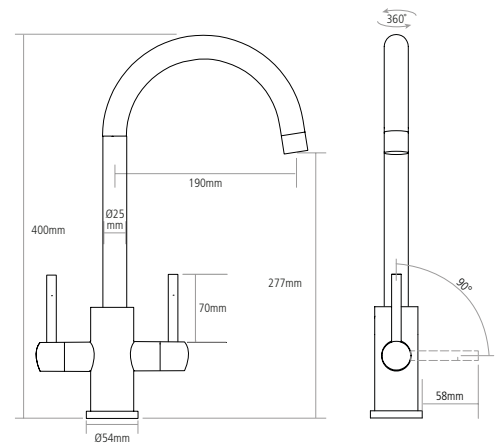


GENERAL FEATURES

- Monobloc design
- Minimum 0.5 bar pressure required
- Quarter turn ceramic valves
- Single flow

DIMENSIONS

- Worktop cut out 35mm required





PUTNEY BRIDGE

Stainless
STEEL



PUT/BRI/PS - Polished Stainless Steel **PUT/BRI/SS** - Solid Stainless Steel **PUT/BRI/BC** - Blackened Copper **PUT/BRI/AB** - Antique Brass

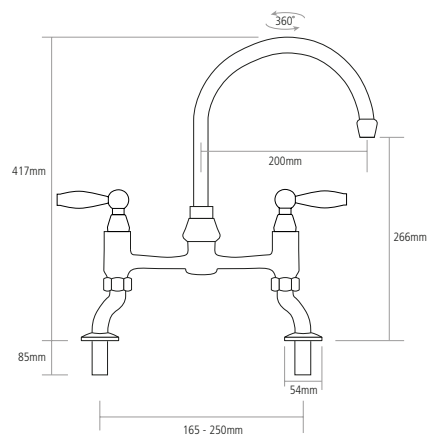
GENERAL FEATURES

- Bridge design
- Solid stainless steel with metallic PVD coating
- Minimum 0.3 bar pressure required
- Quarter turn ceramic valves
- Single flow

NOTE: Image shows tap levers in 'on' position

DIMENSIONS

- Worktop cut out 26mm required





ROBO

ROB3/SS - Solid Stainless Steel

Stainless
STEEL

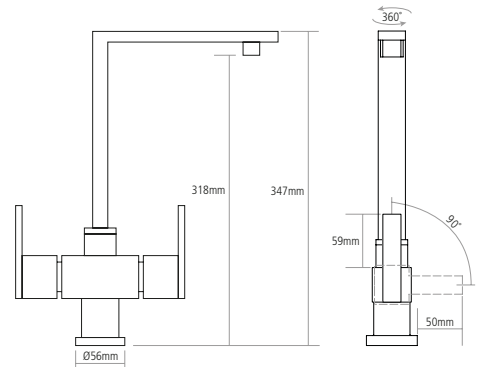


GENERAL FEATURES

- Monobloc design
- Minimum 0.5 bar pressure required
- Quarter turn ceramic valves
- Single flow

DIMENSIONS

- Worktop cut out 35mm required



ZUBEN QUAD

ZUBQ4/CH - Polished Chrome



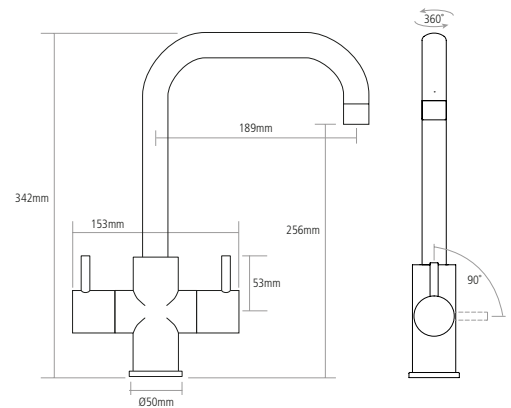
GENERAL FEATURES

- Monobloc design
- Minimum 0.3 bar pressure required
- Quarter turn ceramic valves
- Single flow
- WRAS approved

The ZUBQ4/CH has been designed to you conform to Water efficiency requirements, it has a flow rate of less than 4 litres per minute at 3 bar

DIMENSIONS

- Worktop cut out 35mm required





SHAFTSBURY



S/CRU5/CH - Polished Chrome

S/CRU5/PTR - Pewter

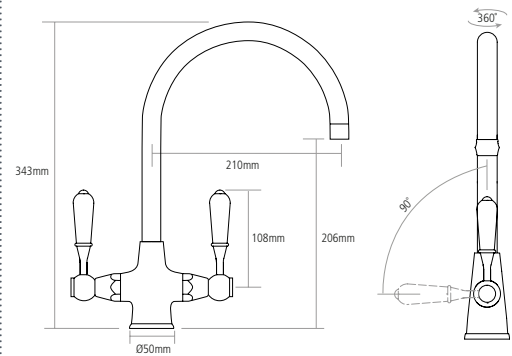
S/CRU5/AB - Antique Brass

GENERAL FEATURES

- Monobloc design
- Minimum 0.3 bar pressure required
- Quarter turn ceramic valves
- Single flow

DIMENSIONS

- Worktop cut out 35mm required





WASHINGTON



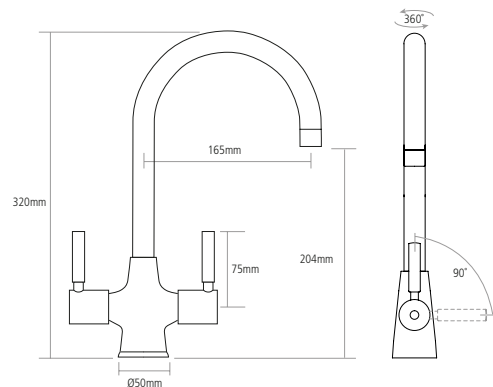
WAS4/BN - Brushed Nickel **WAS4/CH** - Polished Chrome

GENERAL FEATURES

- Monobloc design
- Minimum 0.3 bar pressure required
- Quarter turn ceramic valves
- Single flow
- WRAS approved

DIMENSIONS

- Worktop cut out 35mm required



Waste Disposal Units.

A waste disposer hidden away under the sink can help you recycle your food scraps and leftovers like potato peelings, chicken bones, egg shells and tea bags. It's clean, it's green and it leaves you less to clutter up your bin.



Simply turn on the cold tap and the disposer, then empty everything into the sink. The disposer grinds the food waste into fine particles and flushes the waste away down the drain.

Since more than 25% of household refuse is food, that means less rubbish for the dustmen to take away to clog up our landfill sites, and a reduction in the amount of greenhouse gases emitted.

Disposer waste can be recycled into a soil conditioner once it reaches the water treatment plant so you will be making a positive contribution to your environment.

BIO SHIELD ODOUR PROTECTION

Treated with an Antimicrobial agent, Bio Shield odour protection provides ultimate defense against the growth of bacteria and subsequent odours.

Features a 1.25hp motor and grinding system with a superior torque grind speed for along system life and maximum power.

All models carry a lifetime corrosion proof guarantee, this warranty covers against failure due to corrosion.

EASY INSTALLATION

The lightweight and compact design of the WDU125 features easy mount installation, to make fitting a breeze.

WASTE DISPOSAL UNITS

WDU050



GENERAL FEATURES

- 2 YEAR GUARANTEE
- 0.5hp waste disposal unit
- Continuous feed
- High speed magnet motor
- Overload protection
- Corrosion resistant 3 stage grinding system
- Easy mount installation

- Sound insulation
- Removable splash guard
- Fits standard 90mm waste outlets

DIMENSIONS

- Width 175mm
- Depth 175mm
- Height 372mm

ACCESSORY OPTIONS

Basket strainer waste decorative cover
CWC2



WDU060



GENERAL FEATURES

- 2 YEAR GUARANTEE
- 0.5hp waste disposal unit
- Continuous feed
- High speed magnet motor
- Overload protection
- Corrosion resistant 3 stage grinding system
- Bio Shield odour protection
- Easy mount installation

- Sound insulation
- Fits standard 90mm waste outlets
- Fits sinks up to a thickness of 23mm [an extended flange is available for sinks up to 45mm thick]
- Air switch included

DIMENSIONS

- Width 132mm
- Depth 132mm
- Height 354mm

ACCESSORY OPTIONS

Basket strainer waste decorative cover
CWC2



Extended flange
EX/WDU125



WDU080



GENERAL FEATURES

- 2 YEAR GUARANTEE
- 0.75hp waste disposal unit
- Continuous feed
- High speed magnet motor
- Overload protection
- Corrosion resistant 3 stage grinding system
- Bio Shield odour protection
- Easy mount installation

- Fits standard 90mm waste outlets
- Fits sinks up to a thickness of 23mm [an extended flange is available for sinks up to 45mm thick]
- Stainless steel stopper
- Air switch included

DIMENSIONS

- Width 219mm
- Depth 219mm
- Height 404mm

ACCESSORY OPTIONS

Basket strainer waste decorative cover
CWC2



Extended flange
EX/WDU125



WDU125



GENERAL FEATURES

- 3 YEAR GUARANTEE
- 1.25hp waste disposal unit
- Continuous feed
- High speed permanent magnet motor
- Overload protection
- Corrosion resistant 3 stage grinding system
- Bio shield odour protection

- Easy mount installation
- Sound insulation
- Air switch included
- Fits standard 90mm waste outlets
- Fits sinks up to a thickness of 23mm [an extended flange is available for sinks up to 45mm thick]

DIMENSIONS

- Width 220mm
- Depth 220mm
- Height 439mm

ACCESSORY OPTIONS

Basket strainer waste decorative cover
CWC2



Extended flange
EX/WDU125



Caple Care.

For peace of mind, we provide the following guarantees on our sinks, taps and waste disposers.



CAPLE CARE

**FREE LIFETIME
GUARANTEE ON
ALL SINKS**



CAPLE CARE

**FREE 5 YEAR
GUARANTEE**

SINKS

Free lifetime guarantee on all Caple sinks

TAPS

5 year guarantee on coatings and finishes

5 year guarantee on moving parts and valves

5 year guarantee on stainless steel finish

3IN1 BOILER

2 year guarantee

WASTE DISPOSERS

2 year guarantee on WDU050, WDU060 & WDU080

3 year guarantee on WDU125

AFTER-SALES CUSTOMER SUPPORT

Year 1-5 Caple – telephone 0117 938 7420

Calls are charged at the local rate– please check with your provider for actual charges. Subject to terms and conditions





Issue: CST0322

Every effort has been made to reproduce colours and materials accurately, however due to the photography and print processes, colour variations may occur.

Due to our continued product development policy, we reserve the right to modify product specifications and/or dimensions without notice.

Please contact your retailer, call Caple direct on 0117 938 1900, email info@caple.co.uk, or visit our website at www.caple.co.uk for further product information.

E & O E



Fourth Way
Avonmouth
Bristol
BS11 8DW

t: 0117 938 1900
f: 0800 373 163
e: sales@caple.co.uk
caple.co.uk



Issue: CST0322

